

DENIA®

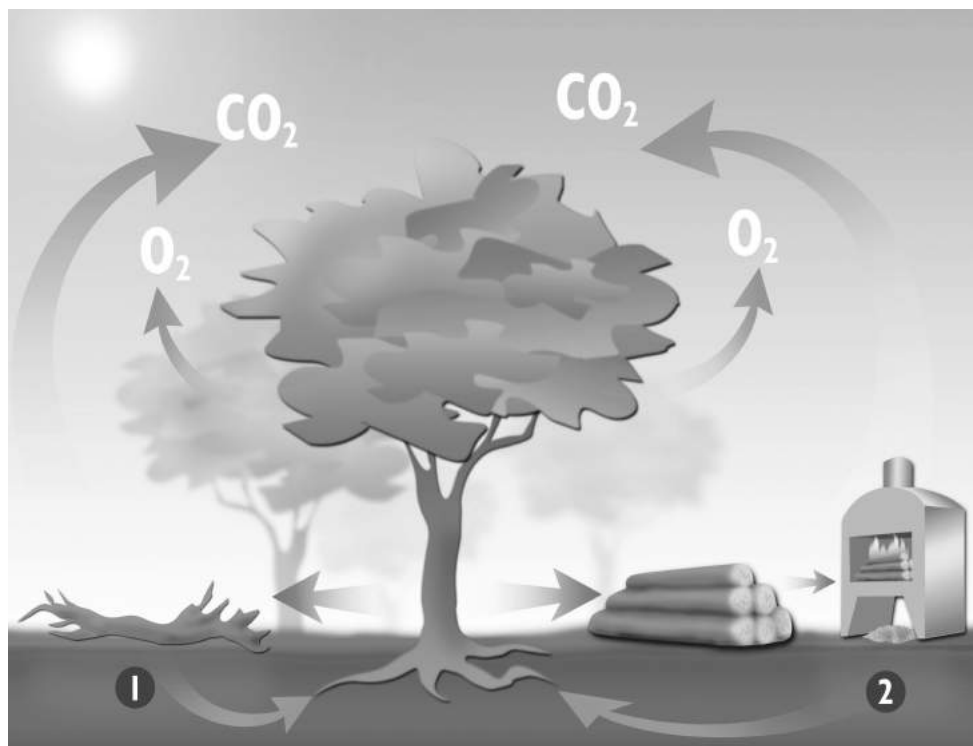
S T O V E S

Mod.

KYOTO



<i>USAGE AND MAINTENANCE INSTRUCTIONS</i>	<i>p. 4</i>
<i>INSTRUCTIONS D'UTILISATION ET D'ENTRETIEN</i>	<i>p. 8</i>
<i>INSTRUCCIONES DE UTILIZACIÓN Y DE MANTENIMIENTO</i>	<i>p. 13</i>
<i>GEBRUIKS- EN ONDERHOUDSAANWIJZINGEN</i>	<i>p. 17</i>
<i>INSTRUÇÕES DE UTILIZAÇÃO E MANUTENÇÃO</i>	<i>p. 21</i>
<i>ISTRUZIONI D'USO E MANUTENZIONE</i>	<i>p. 25</i>
<i>GEBRAUCHS- UND WARTUNGSANLEITUNG</i>	<i>p. 29</i>
<i>INSTRUKCJA UŻYTKOWANIA I KONSERWACJI</i>	<i>p. 33</i>



- 1** Nutrients / Éléments nutritifs / Nutrientes / Brandstoffen / Nutrientes / Elementi nutritivi / Heizmaterial / Opal
- 2** Cenizas – Abono / Cendres – Engrais / Ashes – Fertilizer / Ceneri – Fertilizzante / As / Cinzas – Fertilizante / Asche / Popiół

Wood: an ecological fuel

Wood is a renewable source of energy which answers the energy and environmental demands of the 21st century.

Throughout its long life, a tree grows from sunlight, water, mineral salts and CO₂. Following the general pattern of nature, it soaks up energy from the sun and supplies us with the oxygen essential for animal life.

The quantity of CO₂ given off during the combustion of wood is no greater than that given off by its natural decomposition. This means we have a source of energy that respects the natural cycle of millions of years. Burning wood does not increase the CO₂ in the atmosphere, making it an ecological source of energy which plays no part in the greenhouse effect.

In our wood-burning stoves logs are burnt cleanly without leaving any residue. Wood ash is a high quality fertilizer, rich in mineral salts.

In buying a wood-burning stove, you will help the environment, your heating will be very economical and you will be able to enjoy watching the flames, something no other form of heating can offer.

Le bois: une énergie écologique

Le bois est une énergie renouvelable qui répond aux défis énergétiques et environnementaux du 21^{ème} siècle.

Tout au long de sa vie, un arbre pousse grâce à la lumière du soleil, l'eau, les sels minéraux et le CO₂. Il accumule de manière naturelle l'énergie solaire et nous offre l'oxygène indispensable à la vie.

La quantité de CO₂ qui se dégage pendant la combustion du bois n'est pas supérieure à celle qui serait émise lors de sa décomposition naturelle. Nous sommes donc devant un type d'énergie qui respecte le cycle naturel de millions d'années. La combustion du bois n'augmente pas le CO₂ dans l'environnement, c'est une énergie écologique qui ne participe pas à l'effet de serre.

Avec nos poêles, le bois se brûle proprement et ne laisse aucun résidu. La cendre du bois représente un engrais de haute qualité, riche en sels minéraux.

En achetant un poêle à bois, vous aidez l'environnement, vous aurez un chauffage économique et vous pourrez apprécier ce spectacle des flammes qu'aucun autre type de chauffage peut offrir.

La leña: una energía ecológica

La leña es una energía renovable que responde a los retos energéticos y medioambientales del siglo XXI.

A lo largo de su vida, un árbol crece gracias a la luz solar, el agua, las sales minerales y el CO₂. Acumula de forma natural la energía del sol y nos da el oxígeno indispensable para la vida.

La cantidad de CO₂ que se desprende durante la combustión de la leña no es superior a la que se emitiría por su descomposición natural. Por lo tanto estamos ante un tipo de energía que respeta el ciclo natural de millones de años. La combustión de la leña no aumenta el CO₂ en el medioambiente, por lo que es una energía ecológica que no participa del efecto invernadero.

En nuestras estufas, la leña se quema limpiamente y no deja residuos. La ceniza de leña es un abono de alta calidad, rico en sales minerales. Al comprar una estufa de leña, usted está ayudando al medioambiente, tendrá una calefacción económica, y disfrutará de ese espectáculo de la llamas que ningún otro tipo de calefacción puede ofrecer.

A lenha: uma energia ecológica

A lenha é uma energia renovável que responde às exigências energéticas e de meio-ambiente do século XXI.

Ao longo da sua vida, uma árvore cresce graças à luz solar, à água, aos sais minerais e ao CO₂. Acumula, de forma natural, a energia do sol e dá-nos o oxigénio indispensável para a vida.

A quantidade de CO₂ que se liberta durante a combustão da lenha não é superior à que se emitiria através da sua decomposição natural. Portanto, estamos perante um tipo de energia que respeita o ciclo natural de milhões de anos. A combustão da lenha não aumenta o CO₂ no meio-ambiente, pelo que é uma energia ecológica que não contribui para o efeito de estufa.

Nas nossas salamandras a lenha queima-se de forma limpa, sem deixar resíduos. A cinza da lenha é um adubo de alta qualidade, rico em sais minerais. Ao comprar uma salamandra de lenha está a ajudar o meio-ambiente, terá um aquecimento económico e desfrutará do espectáculo das chamas que nenhum outro tipo de aquecimento pode oferecer.

Holz: ein ökologischer Brennstoff

Holz ist eine erneuerbare Energiequelle, die den Anforderungen des 21. Jahrhunderts an Energiegewinnung und Umweltschutz gerecht wird.

Ein Baum wächst durch Sonnenlicht, Wasser, Mineralsalze und Kohlendioxid. Auf diese Weise speichert er im Laufe seines Lebens Sonnenenergie und stellt uns Sauerstoff zum Atmen zur Verfügung.

Die Menge an CO₂, die beim Verbrennen von Holz abgegeben wird, entspricht der beim natürlichen Zerfall freigesetzten Menge. Es handelt sich also um eine Energieform, die sich in den natürlichen Kreislauf von Jahrtausenden einfügt. Die Verbrennung von Holz führt nicht zur Erhöhung des Kohlendioxid-Anteils in der Atmosphäre und stellt eine ökologische Energieform dar, die nicht zum Treibhauseffekt beiträgt.

Unsere Öfen ermöglichen ein sauberes und rückstandsfreies Verbrennen von Holz. Holzasche ist ein hochwertiger, mineralreicher Dünger. Durch den Kauf eines Holzofens tragen Sie zum Schutz der Umwelt bei und erstehen eine kostengünstige Heizung, die in Ihrem Heim wie keine andere Heizungsart für ein behagliches und romantisches Ambiente sorgt.

Brandhout: milieuvriendelijke energie

Brandhout is een vervangbare energie die voldoet aan de energie- en milieueisen van de 21^{ste} eeuw.

In de loop van zijn leven groeit een boom dankzij zonlicht, water, mineraalzouten en CO₂. Hij verzamelt op natuurlijke wijze de zonne-energie en geeft ons de zuurstof die nodig is om te leven.

De hoeveelheid CO₂ die tijdens het stoken van hout wordt uitgestoten is niet groter dan die vrijkomt door natuurlijke ontbinding. Daarom hebben we te maken met een energiesoort die de natuurlijke cyclus van miljoenen jaren respecteert. De verbranding van hout verhoogt de CO₂-emissie in het milieu niet, waardoor het een milieuvriendelijke energie is die niet bijdraagt aan het broeikas-effect.

In onze kachels wordt het brandhout schoon en zonder afvalstoffen gestookt. Houtas is mest van hoge kwaliteit en rijk aan mineraalzouten. Door een houtkachel te kopen helpt u het milieu, heeft u een goedkope verwarming en geniet u van de gezellige vlammen die geen andere verwarming u kan bieden.

Il legno: un'energia ecologica

Il legno è una fonte d'energia rinnovabile che offre una soluzione alle sfide energetiche e ambientali del XXI secolo.

Un albero cresce grazie alla luce del sole, all'acqua, ai sali minerali e alla CO₂. Accumula in modo naturale l'energia del sole e ci fornisce l'ossigeno indispensabile alla vita.

La quantità di CO₂ che si produce durante la combustione del legno non è superiore a quella che libererebbe per scomposizione naturale. Pertanto ci troviamo in presenza di un tipo di energia che rispetta il ciclo naturale di milioni di anni. La combustione del legno non aumenta il livello di CO₂ presente nell'ambiente, quindi si tratta di una fonte d'energia ecologica che non contribuisce all'effetto serra.

Nelle nostre stufe, la legna brucia in modo pulito e non lascia residui. La cenere del legno è un fertilizzante d'elevata qualità, ricco di sali minerali. Quando compra una stufa a legna, dà una mano all'ambiente, ottiene un riscaldamento economico, e può godere dello spettacolo delle fiamme che nessun altro tipo di riscaldamento le può offrire.

Drewno: paliwo ekologiczne

Drewno jest energią odnawialną, która odpowiada na wyzwania energetyczne i ekologiczne XXI wieku. Podczas całego swojego życia drzewo rośnie dzięki światłu słonecznemu, wodzie, solom mineralnym i dwutlenkowi węgla (CO₂). W sposób naturalny akumuluje energię i daje nam ten niezbędny do życia.

Ilość dwutlenku węgla wydzielanego podczas spalania drewna nie jest większa od tej, jaka byłaby wydzielana w trakcie jego rozkładu naturalnego. Dzięki temu mamy do czynienia z energią, która jest w zgodzie z cyklem natury trwającym miliony lat. Spalanie drewna nie zwiększa poziomu CO₂ w środowisku, przez co drewno jest paliwem ekologicznym, nie przyczynia się do wzrostu efektu cieplarnianego.

W naszych piecykach drewno spala się całkowicie i nie pozostawia odpadów. Popiół, który pozostaje jest nawozem wysokiej jakości, bogatym w sole mineralne. Kupując piecyk kominkowy opalany drewnem pomagają Państwu dbać o środowisko, korzystając z ekonomicznego ogrzewania i mają możliwość podziwiania piękna płomieni, którego nie zapewni Państwu żaden inny rodzaj ogrzewania.

USAGE AND MAINTENANCE INSTRUCTIONS

You have purchased a DENIA product. Apart from correct maintenance, our woodstoves require installation strictly in accordance with legislation. Our products conform to the EN 13240:2002 and A2:2005 European norm, however it is very important for you the consumer to know how to correctly use your woodstove following the recommendations we set out. **For this reason, before installing our product you must read this manual carefully and follow the usage and maintenance instructions.**

POSITION OF THE SMOKE PIPE

- 1) Place the first tube in the smoke outlet circle at the top of the stove, and attach the "other" tube onto the end.
- 2) Join it to the rest of the chimney.
- 3) If the tubing reaches the exterior of your home, place the "hat" onto the end.

INSTALLATION

You have purchased a wood burning stove with a vermiculite insulated combustion chamber. **Do not remove the vermiculite boards!!!!**

- All local regulations, including those referring to National and European standards need to be complied with when installing the appliance.
- The installation of the smoke outlet must be as vertical as possible, avoiding the use of joints, angles and deviations. If the installation is connected to a masonry chimney pipe we recommend the tubes reach the exterior exit. If the smoke outlet is via tubing only, at least three meters of vertical tubing are recommended.
- **IMPORTANT:** The installation and regular cleaning of this stove must be carried out by a qualified professional. The ventilation opening must never be obstructed.
- **IMPORTANT:** The woodstove must be installed in a well ventilated place. It is advisable to have at least one window in the same room as the stove which can be opened.
- The tube connections should be sealed with a refractory putty to prevent soot from falling through the joints.
- Do not position the stove near combustible walls. The stove should be installed on a non-combustible floor surface.
- Whilst the stove is in use remove any material nearby which could be damaged by the heat: furniture, curtains, paper, clothes, etc. The minimum safety distance from adjacent combustible materials is as shown on the last page of this manual.
- The ease of access for the cleaning of the product, smoke outlet and chimney must be considered. If you intend to install your stove near an inflammable wall, we advise you to leave a minimum distance to facilitate cleaning.
- This stove is not suitable for installation in any chimney system shared by other sources.
- The stove should be installed on flooring with adequate support. If your current floor does not comply with this criterion, it should be adapted with appropriate measures (for example, a weight distribution plate).

FUEL

- Use only dry wood with a maximum moisture content of 20%. Wood with a moisture content higher than 50 or 60% does not heat and combusts very badly, and creates a lot of tar, releases excessive amounts of vapour and deposits excess sediments onto the stove, glass and smoke outlet.
- The fire should be lit using special fire lighters, or paper and small pieces of wood. Never try to light the fire using alcohol or similar products.
- Do not burn domestic rubbish, plastic materials or greasy products that can pollute the environment and lead to risks of fire due to obstruction of the pipes.

FUNCTION

- **It is normal for smoke to appear during the first few uses of the stove, as certain components of the heat-resistant paint burn whilst the pigment of the actual stove is fixed. Therefore the room should be aired until the smoke disappears.**
- The woodstove is not designed to function with the door open under any circumstances.
- The stove is intended to function intermittently with intervals for recharging the fuel.
- For the lighting process of the stove it is recommended you use paper, fire lighters or small sticks of wood. Once the fire starts to burn, add to it two logs of wood each weighing 1 to 1.3 kg as a first initial charge. In this lighting process the air inlets of the stove must be kept completely open. If necessary the drawer for removing ashes can also be opened to begin with. Once the fire is more intense, close the drawer completely (if open) and regulate the intensity of the fire by closing and opening the air inlets.
- In order to achieve the stated nominal heat output of this stove a total quantity of 2 kg of wood (roughly 2 logs weighing 1 kg each) must be placed inside at intervals of one hour. The logs should be positioned horizontally and separate from one another, to assure a correct combustion. In any instance a charge of fuel must not be added to the stove until the previous charge has been burnt, leaving only a basic fire bed which is enough to light the next charge but no stronger.
- To achieve a slow combustion you should regulate the fire with the air draughts, which must be kept permanently unblocked to allow the combustion air to be distributed.
- It is normal for the seal of the glass door panel to melt with use. Even though the stove can function without this seal, it is recommended that you replace it seasonally.
- The lower drawer can be removed in order to clear out ash. Empty it regularly without waiting for it to fill up too much, to avoid the grill becoming damaged. Take care with the ash which may still be hot up to 24 hours after the stove has been used.
- Do not open the door abruptly in order to avoid smoke being released, and never open it without opening the air draught beforehand. Open the door only in order to put in the appropriate fuel.
- The glass, brass pieces and stove in general may reach very high temperatures. Do not expose yourself to risks of burns. When handling metal pieces, use the glove provided with the stove.

- Keep children away from the stove.
- If you have trouble lighting the stove (due to cold weather, etc.) it can be lit with folded or scrunched up paper which is easier to light.
- In case of the stove becoming too hot, close the air draughts to reduce the intensity of the fire.
- In case of malfunction, contact us the manufacturers.
- If you need to disassemble the baffle to clean the exhaust pipe, proceed as follows: raise the vermiculite side panel slightly and remove the baffle.
- To replace the baffle, follow the same steps in reverse (place the baffle in its position and then close the vermiculite side panel).

MAINTENANCE

- It is advisable to clean the glass door panel periodically to avoid blackening by soot deposits. Professional cleaning products are available for this. Never use water. Never clean the stove while it is in use.
- It is also important to clean the smoke outlet tubing periodically and check there are no blockages before relighting fuel after a long period of non-use. At the start of each season a professional should carry out a revision of the installation.
- In the event of a fire in the smoke outlet, close all air draughts if possible and contact the authorities immediately.
- Any replacement part which you may need must be recommended by us.
- The fiberglass cord used for the pints may degrade over time. If this happens, you will have to replace it with a new fiberglass tape.

GUARANTEE

This is a high quality stove, manufactured with great care. Even so, if any defect is found please first contact your distributor. If they are unable to solve the problem they will contact us and send us the stove if necessary. Our company will replace any faulty parts free of charge up to two years from the date of purchase. We will not charge for repair work, however any transport costs must be paid by the client.


Since this apparatus has been tested by a homologated laboratory the following parts are NOT covered by warranty:

- Glass
- Internal grate
- Vermiculite
- Door handle, air-inlet knobs, etc.

In the interior of the packaging, you will find a quality control slip. We request that you send this to your distributor in case of any claim.

MEASUREMENTS AND CHARACTERISTICS

- Height.....	1.147 mm	- Nominal heat output.....	10.1 kW
- Width.....	514 mm	- Energy efficiency.....	78,7 %
- Depth.....	460 mm	- CO emission.....	0.09 %
- Weight.....	127 Kg	- Minimum flue draught for nominal heat output.....	11,8 Pa
- Firewood entrance.....	310 x 565 mm	- Flue gas mass flow.....	7,6 g/s
- Smoke outlet.....	150-153 mm	- Flue gas temperature.....	316 °C
- Iron sheet body of 5 mm.		- Distance to adjacent combustible materials.....	40 cm
- Cast iron grill		- Heating volume (aprox.).....	250 m ³
- Paint, resistant up to 800 °C			
- Vitro-ceramic glass, 750 °C			
- Firewood up to 50 cm long			

 EN 13240: 2001 & A2: 2004	DENIA P.I. CAMPOLLANO AVENIDA 5ª, 13-15 02007 ALBACETE -SPAIN
"KYOTO" WOODSTOVE..... 12 FREESTANDING ROOMHEATER FIRED BY SOLID FUEL CERTIFICATE Nº EZKA/12/069-2 DECLARATION OF PERFORMANCE11620 NOTIFIED BODY..... 0608	
Thermal output.....10.1 kW Energy efficiency..... 78,7 % Emission of CO in combustion products..... 0.09 % Flue gas temperature..... 316 °C Distance to adjacent combustible materials40 cm Dust concentration at 13% O ₂35 mg/Nm ³ Fuel types..... Firewood and briquetted wood	
The stove should be installed on a non-combustible floor surface.	

INSTRUCTIONS D'UTILISATION ET D'ENTRETIEN

Vous venez d'acquérir un produit de la marque DENIA, nos poêles non seulement requièrent un entretien adéquat mais également une installation conforme à la législation en vigueur. Nos produits sont conformes à la norme européenne EN 13240:2002 et A2: 2005 mais il est très important que le consommateur sache utiliser correctement son poêle selon les conseils que nous vous indiquons. **Pour cette raison, avant d'installer notre produit vous devrez lire rigoureusement ce manuel et suivre nos instructions d'utilisation et d'entretien.**

POSITION DU CONDUIT DE FUMÉE

- Placer le premier tuyau dans la sortie de fumée du poêle et continuez dans cette même position avec les autres tuyaux.
- Mettre un chapeau sur le dernier tuyau si celui ci se trouve à l'extérieur.

INSTALLATION

- Vous avez acheté un poêle à bois dont la chambre à combustion est revêtue de vermiculite. Ne pas enlever ces pièces en vermiculite.
- Il est nécessaire de respecter les réglementations nationales, régionales et locales sur l'utilisation des appareils et des combustibles lors de l'installation du poêle.
- L'installation doit être la plus verticale possible, en évitant l'utilisation de coudes ou déviations. Si l'installation se raccorde à un conduit de cheminée de maçonnerie, il est conseillé qu'elle soit munie de tubes jusqu'à la sortie extérieure. Dans le cas où l'installation soit seulement munie de tubes, il est conseillé qu'elle ait au moins 3 mètres linéaires.
- Attention: l'installation de ce poêle à bois doit être effectuée par un professionnel qualifié. Lors de la combustion, aucun résidu ne peut venir obstruer les voies d'aération.
Attention: ce poêle doit être installé dans une pièce aérée et bien ventilée.
Il est conseillé d'avoir au moins une fenêtre qui puisse s'ouvrir, dans la même pièce où sera installée le poêle.
- Les tuyaux doivent être scellés avec un mastic réfractaire pour empêcher que la suie produite par la combustion ne coule par les joints.
- Ne pas placer le poêle près de murs combustibles. Le poêle doit être installé sur un sol non inflammable et non combustible.
- Pendant le fonctionnement, éloignez du poêle, toute matière pouvant être altérée par la chaleur: meubles, rideaux, papiers, vêtements, etc... La distance de sécurité minimum à matériaux combustibles est celle indiquée à la dernière page de ce manuel.
- Ne pas utiliser d'autres extracteurs d'air que ceux livrés avec l'appareil.
- Ce poêle n'est pas fait pour être encastré, c'est un appareil indépendant.
- Ne pas placer de grilles d'aération supplémentaires sur nos appareils, vous devez les utiliser tels qu'ils sont fabriqués.

- Il est important de prévoir le facile accès pour le nettoyage de l'appareil, du conduit de fumée et de la cheminée. Si vous pensez placer votre poêle près d'un mur non inflammable, nous vous conseillons de laisser une distance minimum pour faciliter les opérations de nettoyage.
- Ce poêle n'est pas fait pour être installé dans un système de cheminée compartimenté avec d'autres appareils.
- L'appareil doit être installé sur un sol ayant une capacité de portée adéquate. Si la construction ne répond pas à cette exigence, il faudra adopter les mesures nécessaires (par exemple en installant une plaque de distribution de charge).

COMBUSTIBLE

- Utilisez comme combustible du bois sec, en veillant à ce qu'il ne dépasse pas 20% le degré d'humidité. Sachez, qu'un bois ayant 50% ou 60% d'humidité ne chauffe pas, il a une très mauvaise combustion, il crée beaucoup de goudron, il dégage une vapeur d'eau excessive et il produit des sédiments excessifs dans l'appareil, la vitre et les conduits de fumée. Vous pouvez également utiliser des briquettes de bois pressé.
- Allumez le feu avec des pastilles prévues à cet effet, ou avec l'aide de papier et brindilles. N'utilisez jamais d'alcool à brûler ou de produits similaires.
- Ne brûlez pas de déchets ménagers, matières plastiques ou de produits gras qui polluent l'environnement et provoquent des risques de feu de cheminée par encrassement du conduit.

FONCTIONNEMENT

- **Lors des premiers allumages, il est normal que de la fumée se dégage. Cela est dû à ce que certains composants de la peinture anticorrosive brûlent en même temps que s'adhère le pigment au poêle. Nous conseillons d'aérer abondamment la pièce jusqu'à ce que cela disparaisse.**
- Il est nécessaire de respecter les réglementations nationales, régionales et locales sur l'utilisation des appareils et des combustibles lors de l'installation du poêle.
- Le poêle n'est pas prévu pour fonctionner «porte ouverte».
- Cet appareil est prévu pour fonctionner de manière discontinue avec des temps de recharge de combustible.
- Pour l'allumage du poêle il est recommandé d'utiliser du papier, des pastilles d'allumage et des brindilles. Une fois que le feu commence à fonctionner, ajoutez pour la première charge deux morceaux de bois de 1 à 1,3 Kg. Pendant cette phase d'allumage, les tirages d'air doivent être complètement ouverts.
- Une fois que le feu commence à prendre de l'intensité, régler l'intensité du feu en fermant plus ou moins les tirages d'air.
- Ne pas relier cet appareil simultanément avec d'autres appareils d'aération

- Pour atteindre la puissance nominale de l'appareil vous devez utiliser une quantité approximative de 2 Kg. de bois (2 bûches d'environ 1 Kg.) en intervalles d'une heure. Les bûches doivent être disposées horizontalement en laissant un petit espace entre chacune d'elles afin d'assurer une correcte combustion. Vous ne devez pas recharger de combustible votre appareil avant que la charge antérieure ne se soit consommée et qu'il reste seulement le lit de braises nécessaire à la reprise de la combustion.
- Pour arriver à une combustion au ralenti vous devrez régler l'intensité du feu par les tirages d'air. Ceux-ci devront rester toujours libres d'accès pour permettre une bonne circulation de l'air de combustion.
- Il est normal que le joint en fibre de verre se désintègre. Bien que le poêle puisse fonctionner sans le joint, nous vous recommandons de le changer chaque saison.
- Le tiroir sert à retirer les cendres. Videz le régulièrement sans attendre qu'il se remplisse trop afin d'éviter que se détériore la grille.
Sachez que jusqu'à 24 heures après, les cendres peuvent être encore chaudes.
- N'ouvrez pas la porte de l'appareil brusquement afin déviter que la fumée ne sorte. N'ouvrez jamais la porte sans avoir ouvert avant le registre. Ouvrez la porte seulement quand vous devez charger le poêle avec le combustible adéquat.
- Toute modification faite sur notre appareil, sera responsabilité unique et exclusive de l'utilisateur
- La vitre, les pièces en laiton et l'appareil en general peuvent atteindre des températures élevées, attention aux risques de brûlures lors de l'utilisation. Pour manipuler ces pièces, utilisez le gant fourni avec le poêle.
- Tenez éloignés les jeunes enfants pour éviter des brûlures lors de l'utilisation.
- Si le démarrage du poêle cause certains problèmes (Inter-saison, cheminée froide...). Vous pouvez allumer un feu d'appel avec du papier froissé ce qui aidera à mettre en marche le poêle.
- Dans le cas de surchauffe, fermez le tirage d'air pour réduire l'intensité du feu.
- Dans le cas de mauvais fonctionnement, fermez le tirage d'air et consultez le fabricant.
- Si vous avez besoin de démonter le déflecteur pour nettoyer le conduit de fumées, vous devez démonter une plaque latérale de vermiculite en la levant légèrement. Ensuite vous pourrez enlever le déflecteur.
- Pour le remettre en place, il suffit de faire l'opération inverse (positionnez le déflecteur dans sa position et ensuite replacez le latéral de vermiculite).
- La fibre de verre qui est utilisée pour les joints peut se dégrader avec le temps. Dans le cas où cela se produirait, il faudrait alors procéder à son remplacement.

ENTRETIEN

- Un nettoyage quotidien de la vitre permet d'éviter le dépôt de suie sur le verre. Utilisez pour cela un nettoyant spécial vendu dans le commerce. N'utilisez jamais d'eau. Ne tentez jamais de nettoyer votre poêle en fonctionnement.
- Il est aussi très important de nettoyer régulièrement les conduits de fumée de l'appareil et vous devrez vous assurer l'absence de blocage avant de remettre en marche l'appareil après une période prolongée de non allumage.
- Chaque début de saison, il est important qu'un professionnel réalise l'entretien de votre installation.

- Dans le cas d'un incendie de cheminée, si vous le pouvez, fermez les tirages d'air et contactez immédiatement les autorités.
- Toute pièce de rechange doit être recommandée par le fabricant.

GARANTIE

Cet appareil est un produit de qualité qui a été fabriqué avec le plus grand soin. Si malgré tout, vous constatez une anomalie, commencez par demander conseil au revendeur. Si ce dernier n'est pas en mesure de vous solutionner le problème, il nous contactera et, si la situation l'exige nous enverra l'appareil. Le délai de garantie étant de deux ans à compter de la date d'achat, nous nous engageons à remplacer gratuitement les pièces défectueuses pendant ce délai. Néanmoins les frais de transport sont à la charge du client.

Étant donné que ce dispositif a été testé par un laboratoire agréé, ne sont pas couverts par la garantie les pièces suivantes:

- Vitre
- La grille en fonte
- Vermiculite
- Poignées (de la porte et tirage)

A l'intérieur de l'emballage se trouve une fiche de contrôle de qualité, nous vous prions de la remettre au revendeur en cas de réclamation.

MESURES ET CARACTERISTIQUES

- Hauteur.....	1.147 mm	- Puissance nominale.....	10.1 kW
- Largeur.....	514 mm	- Rendement.....	78,7 %
- Profondeur.....	460 mm	- Emission de CO.....	0.09 %
- Poids.....	127 Kg	- Tirage minimum de la cheminée pour puissance nominale.....	11,8 Pa
- Porte entrée bois.....	310 x 565 mm	- Débit massique des fumées.....	7,6 g/s
- Sortie fumée.....	150-153 mm	- Température des fumées.....	316°C
- Corps en acier de 5 mm.		- Distance par rapport aux matériaux combustibles adjacents.....	40 cm
- Grille en fonte		- Volume de chauffe (aprox.).....	250 m ³
- Peinture résistante à 800 °C			
- Vitre vitrocéramique 750 °C			
- Bûches jusqu'à 50 cm			



EN 13240: 2001 & A2: 2004

DENIA

P.I. CAMPOLLANO
AVENIDA 5º, 13-15
02007 ALBACETE - SPAIN

POÊLE A BOIS "KYOTO" 12
 POÊLE INDEPENDANT A COMBUSTIBLE SOLIDE
 CERTIFICATE N° EZKA/12/069-2
 DECLARATION DES PERFORMANCES11620
 L ORGANISME NOTIFIE 0608

Puissance calorifique.....10.1 kW
 Rendement énergétique..... 78,7 %
 Emission de CO par les produits de
 combustion 0.09 %
 Temperatures des produits de combustion. 316 °C
 Distance par rapport aux matériaux
 combustibles 40 cm
 Concentration de poussières a 13% O2.. 35 mg/Nm³
 Type de combustible..... Bois et briquettes

Le poêle doit être installé sur un sol non
 inflammable et non combustible.

INSTRUCCIONES DE UTILIZACIÓN Y DE MANTENIMIENTO

Acaba de adquirir un producto de la marca DENIA, además de un mantenimiento correcto nuestras estufas requieren una instalación conforme a la legislación en vigor. Nuestros productos son conformes a la norma europea EN 13240:2002 y A2:2005 pero es muy importante para el consumidor que sepa utilizar correctamente su estufa según las recomendaciones que indicamos. **Por esta razón antes de instalar nuestro producto deberá leer rigurosamente este manual y seguir nuestras instrucciones de utilización y de mantenimiento.**

POSICIÓN DEL CONDUCTO DE HUMOS

- Poner el primer tubo en la salida de humos de la estufa y seguir en esta posición con los demás tubos.
- Poner el sombrerete sobre el último tubo si este está en el exterior.

INSTALACIÓN

- Usted ha comprado una estufa de leña concebida con la cámara de combustión revestida de vermiculita.
No retire de la estufa estas piezas de vermiculita.
- Todas las reglamentaciones locales, incluidas las que hacen referencia a normas nacionales o europeas, han de cumplirse cuando se instala al aparato.
- La instalación debe ser lo más vertical posible, evitando la utilización de codos y desviaciones. En caso de que la instalación se conecte con un conducto de chimenea de albañilería se recomienda que los tubos lleguen hasta la salida exterior. En caso de que la instalación se realice sólo con tubos deberá tener 3 metros lineales como mínimo.
- Atención: La instalación de esta estufa debe ser efectuada por un profesional cualificado. No obstruir las aperturas de ventilación.
- Atención: esta estufa debe ser instalada en un local bien ventilado. Recomendamos que haya por lo menos una ventana que se pueda abrir, en la habitación dónde estará instalada la estufa.
- Los tubos deben ir sellados con una masilla refractaria para evitar que el hollín caiga por las juntas.
- No sitúe la estufa cerca de paredes combustibles. La estufa debe ser instalada en un suelo no inflamable ni combustible.
- Mientras la estufa esté funcionando aleje de ella cualquier materia que pueda ser alterada por el calor: muebles, cortinas, papel, ropa, etc... La distancia de seguridad mínima a materiales combustibles es la indicada en la última página de este manual.
- Es necesario tener previsto la accesibilidad para la limpieza del aparato, del conducto de humos y de la chimenea. Si piensa instalar su estufa cerca de una pared no inflamable, le aconsejamos dejar una distancia mínima para facilitar las operaciones de limpieza.
- El aparato no es adecuado para instalar en un sistema de chimenea compartido con otros aparatos.
- El aparato debe instalarse en suelos que tengan una capacidad portante adecuada. Si la construcción ya existente no cumple este requisito previo, deben adoptarse las medidas adecuadas (por ejemplo, una placa de distribución de carga) para cumplirlo.

COMBUSTIBLE

- Utilice como combustible leña seca, procurando que no exceda de un 20% el grado de humedad. Tenga en cuenta que una leña con un 50% ó un 60% de humedad no calienta, tiene una combustión muy mala, crea mucho alquitrán, desprende un vapor de agua excesivo y produce sedimentos excesivos en el aparato, cristal y conducto de humos. También puede utilizar briquetas de leña prensada.
- Encienda el fuego con pastillas existentes para tal fin o con la ayuda de papel y leña menuda. No utilice jamás para el encendido alcohol o productos similares.
- No queme basuras domésticas, materias plásticas o productos grasos que contaminen el medioambiente y puedan provocar riesgos de incendios por obstrucción del conducto.

FUNCIONAMIENTO

- **Durante los primeros encendidos es normal que se produzca humo. Esto se debe a que se queman ciertos componentes de la pintura anticorrosiva al mismo tiempo que se adhiere el pigmento a la propia estufa. Por ello se recomienda ventilar abundantemente la habitación hasta que esto desaparezca.**
- La estufa no está hecha para funcionar con la puerta abierta.
- El aparato está pensado para trabajar de forma intermitente con intervalos de recarga de combustible.
- Para el proceso de encendido de la estufa se recomienda utilizar papel, pastillas de encendido y pequeños palitos de leña. Una vez que el fuego comience a funcionar, agregar en la primera carga dos palos de 1 a 1,3 Kg. de peso. En este proceso de encendido los tiros de aire de la estufa han de estar totalmente abiertos. Si fuese necesario también puede ayudarse, al comienzo, abriendo el cajón de las cenizas.
- Una vez que el fuego ha cobrado intensidad, cierre totalmente el cajón de cenizas (si lo ha abierto anteriormente) y regule la intensidad del fuego cerrando en mayor o menor medida los tiros de aire.
- Para conseguir la potencia nominal de esta estufa ha de colocar una cantidad de leña aproximada de 2 Kg. de peso (2 troncos de 1 Kg.) en intervalos de 1 hora. Los troncos los debe colocar en sentido horizontal ligeramente separados entre sí, para asegurar una correcta combustión. No se debe recargar el aparato hasta que no se haya consumido la carga anterior y sólo quede la reserva de brasas.
- Para lograr una combustión lenta debe regular la intensidad del fuego con los tiros de aire. Estos tendrán que quedarse siempre libre de bloqueo para permitir el suministro de aire de combustión.
- Es normal que con el uso la junta de fibra de vidrio del cristal se deshaga. Aunque la estufa pueda funcionar sin esta junta, se recomienda que cada temporada se reponga.
- El cajón inferior sirve para retirar las cenizas. Vaciarlo a menudo sin esperar que se llene demasiado para evitar que se estropee la parrilla, tenga cuidado con la ceniza que hasta 24 horas después puede seguir estando caliente.
- No abra la puerta del aparato de forma brusca con el fin de evitar la salida de humos. No abra jamás la puerta de la estufa sin previamente abrir el tiro. Abra la puerta solo con el fin de recargar con el combustible adecuado.

- El cristal, las piezas de latón y el aparato en general pueden alcanzar temperaturas muy elevadas, cuidado con los riesgos de quemaduras. Para manipular dichas piezas, utilice el guante adjunto con la estufa.
- Mantener alejados a los niños para evitar quemaduras durante la utilización.
- Si el arranque plantea problemas (temporada intermedia, chimenea fría, etc.) se puede encender un fuego de llamada con papel arrugado, lo que facilita la puesta en marcha de la estufa.
- En el caso de sobrecalentamiento, cierre los tiros de aire para reducir la intensidad del fuego.
- En el caso de mal funcionamiento, cierre los tiros de aire y consulte al fabricante.
- Si tiene necesidad de desmontar el deflector para limpiar el conducto de humos, tiene que hacer lo siguiente: tiene que desmontar una placa lateral de vermiculita elevándola ligeramente. Y acto seguido podrá sacar el deflector.
- Para recolocarlo hay que hacer la operación inversa (coloque el deflector en su posición y después coloque el lateral de vermiculita).

MANTENIMIENTO

- Conviene limpiar periódicamente el cristal para evitar que los restos de hollín lo ennegrezcan. En el comercio existen limpiadores especiales para ello. No utilice nunca agua. No intente nunca limpiar su estufa en funcionamiento.
- También es importante limpiar periódicamente los conectores de humos del aparato y deberá comprobar la ausencia de bloqueo antes de volver a encender el aparato después de un periodo prolongado de parada. Cada principio de temporada es importante que un profesional realice un mantenimiento de su instalación.
- En caso de incendio en la chimenea, si puede, cierre los tiros de aire y contacte inmediatamente con las autoridades.
- Cualquier pieza de repuesto que necesite tiene que ser recomendada por nosotros.
- La fibra de vidrio que se utiliza en las juntas puede sufrir degradación con el tiempo. Si éste fuera su caso, en el momento que se produzca, deberá reemplazarlo por una nueva fibra de vidrio.

GARANTÍA

Esta estufa es un producto de alta calidad, fabricada con gran esmero. Si, a pesar de ello, se produjera algún desperfecto, consulte primero con su distribuidor. Si él no puede solucionar el problema, se pondrá en contacto con nosotros y, si es necesario nos enviará la estufa. Nuestra empresa sustituye gratuitamente cualquier pieza defectuosa durante dos años a partir de la fecha de compra. Los gastos de transporte, sin embargo, correrán por cuenta del cliente.

Puesto que este aparato ha sido testado por un laboratorio homologado NO están cubiertas por la garantía las siguientes piezas:

- Cristal
- Parrilla de fundición
- Vermiculita
- Herrajes

En el interior del embalaje, encontrará una ficha de control de calidad, rogamos la remiten al distribuidor en caso de reclamación.

MEDIDAS Y CARACTERISTICAS

- Alto	1.147 mm	- Potencia calorífica nominal	10.1 kW
- Ancho	514 mm	- Rendimiento	78,7 %
- Fondo	460 mm	- Emisión de CO	0.09 %
- Peso	127 Kg	- Tiro en la chimenea para potencia nominal	11,8 Pa
- Puerta entrada leña	310 x 565 mm	- Caudal masico de los humos	7,6 g/s
- Salida humos	150-153 mm	- Temperatura de los humos	316 °C
- Cuerpo en acero de 5 mm.		- Distancia mínima a materiales combustibles	40 cm
- Parrilla de hierro fundido		- Volumen de calefacción (aprox.)	250 m ³
- Pintura anticorrosiva resistente a 800 °C			
- Vidrio vitrocerámico 750 °C			
- Troncos hasta 50 cm			

	DENIA P.I. CAMPOLLANO AVENIDA 5ª, 13-15 02007 ALBACETE - SPAIN
EN 13240: 2001 & A2: 2004	
ESTUFA DE LEÑA "KYOTO" 12 ESTUFA INDEPENDIENTE PARA COMBUSTIBLE SOLIDO CERTIFICATE Nº EZKA/12/069-2 DECLARACION DE PRESTACIONES..... 11620 ORGANISMO NOTIFICADO 0608	
Potencia nominal..... 10.1 kW Rendimiento..... 78,7 % Emisión de CO en los productos de combustión..... 0.09 % Temperatura de los humos 316 °C Distancia mínima a materiales combustibles 40 cm Tipos de combustible..... Leña y briquetas	
La estufa debe ser instalada en un suelo no inflamable ni combustible	

ONDERHOUD- EN GEBRUIKSAANWIJZING

U hebt een product gekocht van het merk DENIA. Naast het juiste onderhoud, vergen onze kachels een installatie conform de geldige wetgeving. Onze producten voldoen aan de Europese norm EN 13240:2001 en A2:2004, maar het is erg belangrijk dat de consument de kachel volgens de hierna genoemde aanbevelingen op juiste wijze weet te gebruiken. **Om die reden dient u deze handleiding vóór het installeren van ons product zorgvuldig te lezen en onze onderhoud- en gebruiksaanwijzingen in acht te nemen.**

POSITIE VAN HET ROOKKANAAL

- Zet de eerste pijp op de rookafvoer van de kachel en volg deze positie bij de rest van de pijpen.
- Zet het kapje op de laatste pijp als deze zich buitenshuis bevindt.

INSTALLATIE

- U heeft een houtkachel gekocht met een brandkamer voorzien van vermiculiet. Verwijder in geen geval deze stukken in vermiculiet uit de kachel.
- Alle lokale regelgeving, inclusief de nationale en Europese, dienen in acht te worden genomen bij de installatie van het toestel.
- De installatie dient zo verticaal mogelijk te zijn. Vermijd het gebruik van kniestukken en omleidingen. Wordt de installatie op een gemetselde schoorsteenpijp aangesloten, dan wordt aanbevolen dat de pijpen tot aan de afvoer naar buiten reiken. Wordt de installatie alleen met pijpen uitgevoerd, dan dient deze minimaal over 3 strekkende meter te beschikken.
- Opgelet: De installatie van deze kachel dient door een gekwalificeerde vakman te worden uitgevoerd. Bedek de ventilatieopeningen niet.
- Opgelet: deze kachel dient in een goed geventileerd vertrek te worden geïnstalleerd.
- De pijpen dienen te worden afgedicht met een vuurvaste kit om te voorkomen dat het roet door de naden komt.
- Zet de kachel niet dichtbij brandbare wanden. De kachel dient op een onbrandbare vloer te worden geïnstalleerd.
- Terwijl de kachel brandt, dient elk hittegevoelig materiaal ervan te worden verwijderd: meubels, gordijnen, papier, kleding, etc. De minimale veiligheidsafstand tussen de kachel en brandbare materialen wordt aangeduid op de laatste bladzijde van deze handleiding.
- Het apparaat moet toegankelijk zijn voor de reiniging van de kachel zelf, van het rookkanaal en van de schoorsteen. Als u van plan bent om de kachel dichtbij een onbrandbare wand te plaatsen, raden wij aan om een minimale afstand te bewaren zodat de kachel gemakkelijk schoongemaakt kan worden.
- Het apparaat is niet geschikt om op een schoorsteensysteem dat met andere apparaten wordt gedeeld aan te sluiten.
- Het apparaat moet op een vloer met het juiste draagvermogen worden geïnstalleerd. Als de reeds bestaande constructie niet aan deze voorafgaande vereiste voldoet, dienen

de passende maatregelen te worden getroffen om hier wel aan te voldoen (bijvoorbeeld een lastverdeelpaat).

BRANDSTOF

- Gebruik droog brandhout als brandstof en zorg ervoor dat de vochtigheidsgraad ervan niet hoger dan 20% is. Houd er rekening mee dat een stuk brandhout met een vochtigheidsgraad van 50% of 60% niet verwarmt, zeer slecht brandt, veel teer voortbrengt, overdreven veel waterdamp uitstoot en overmatige afzettingen op het apparaat, het glas en het rookkanaal veroorzaakt. Ook kunnen geperste houtbriketten worden gebruikt.
- Steek het vuur aan met aanmaakblokjes of met behulp van papier of dunne takjes. Gebruik voor het aansteken van het vuur nooit alcohol of soortgelijke producten.
- Verbrand geen huisvuil, plastic materiaal of vette producten die het milieu vervuilen en brandgevaar kunnen veroorzaken door verstopping van het rookkanaal.

WERKING

- **De eerste keren dat u de kachel gebruikt is het normaal dat er rook ontstaat. Dit komt doordat er bepaalde componenten van de hittevaste verf verbranden en tegelijkertijd blijft het pigment aan de kachel plakken. Daarom wordt aanbevolen om de kamer ruimschoots te ventileren totdat de rook verdwijnt.**
- De kachel dient niet met open deur te werken.
- Het apparaat is ervoor bestemd om discontinu, met tussentijds bijvullen van brandstof, te functioneren.
- Voor het aansteken van de kachel wordt aanbevolen om papier, aanmaakblokjes en dunne takjes of stukjes brandhout te gebruiken. Zodra het vuur begint te branden, dienen twee houtsblokken van 1,5 à 2 kg te worden toegevoegd. Bij het aanmaken moeten de trekkleppen van de kachel geheel geopend zijn. Zo nodig kan het ook van nut zijn om in het begin de asla te openen.
- Sluit, zodra het vuur goed brandt, de asla volledig (als u deze van tevoren heeft geopend) en regel de intensiteit van het vuur door de trekkleppen in meerdere of mindere mate te sluiten.
- Om het nominale vermogen van deze kachel te bereiken, dient om het uur ongeveer 2 kg brandhout (twee stukken van een kilo) in het apparaat te worden gelegd. De houtblokken dient u iets van elkaar gescheiden, horizontaal neer te leggen, zodat ze goed kunnen branden. Het apparaat dient niet bijgevuld te worden, totdat de vorige lading opgestookt en alleen nog gloeiend houtskool over is.
- Voor een langzame verbranding dient de intensiteit van het vuur met de trekkleppen te worden geregeld. Deze mogen nooit geblokkeerd zijn, zodat er voldoende luchttoevoer is.
- Het is normaal dat de messing onderdelen, na de eerste keren dat de kachel wordt aangestoken, een koperachtige kleur krijgen.
- Het is normaal dat de glasvezelpakking van het glas na verloop van tijd losraakt. Hoewel de kachel zonder deze pakking ook kan functioneren, wordt aanbevolen om haar elk seizoen te vervangen.
- De onderste la is bedoeld voor het verwijderen van de as. Leeg de asla vaak en wacht niet totdat hij te vol zit om te voorkomen dat het rooster kapot gaat. Wees voorzichtig met de as. Deze kan na 24 uur nog steeds warm zijn.
- Om ervoor te waken dat er geen rook vrijkomt, is het beter om de deur van het apparaat niet

bruusk open te maken. Open de deur van de kachel nooit zonder eerst de trekklep te hebben geopend. Open de deur alleen om de kachel met de geschikte brandstof bij te vullen.

- Het glas, de messing onderdelen en het apparaat in het algemeen kunnen zeer hoge temperaturen aannemen. Wees voorzichtig. Verbrandingsgevaar! Gebruik de bij de kachel meegeleverde want om die onderdelen te hanteren.
- Houd kinderen van de kachel verwijderd om te voorkomen dat ze zich tijdens het gebruik kunnen verbranden.
- Als bij het opstarten problemen ontstaan (tussenseizoen, koude schoorsteen, etc.), dan kan vuur worden aangestoken met gekreukeld papier. Hiermee wordt de inbedrijfstelling van de kachel vereenvoudigd.
- Sluit bij oververhitting de trekkleppen om de intensiteit van het vuur te reduceren.
- Sluit bij een slechte werking de trekkleppen en raadpleeg de fabrikant.
- Om de beste prestaties van het apparaat te verkrijgen, open bij het aanzetten alleen de primaire lucht en zodra het vuur goed brandt (1 à 2 minuten), sluit de toevoer van de meeste primaire lucht en laat slechts een zeer kleine opening om een langzame verbranding op peil te houden.
- **Als er takken in het houtschuurtje worden geplaatst, mogen deze de bovenkant van het schuurtje niet raken.**

ONDERHOUD

- Het is gewenst om het glas regelmatig schoon te maken om te voorkomen dat het zwart wordt van de roetaanzetting. Er zijn speciale reinigingsmiddelen hiervoor in de handel. Gebruik nooit water. Probeer nooit een werkende kachel schoon te maken.
- Ook is het belangrijk om de rookkanalen van het apparaat regelmatig schoon te maken en te controleren of deze niet verstopt zijn, alvorens het apparaat, nadat deze een lange periode niet is gebruikt, opnieuw aan te maken. Aan het begin van elk seizoen is het belangrijk dat een vakman de installatie een onderhoudsbeurt geeft.
- Bij schoorsteenbrand, indien mogelijk, de trekkleppen dichtdoen en onmiddellijk contact opnemen met de autoriteiten.
- Elk reserveonderdeel dat u nodig heeft dient door ons te zijn aanbevolen.
- Het koord voor het glas is onderhevig aan slijtage. Indien dit het geval is, dient u dit te vervangen voor een nieuw koord.

GARANTIE

Deze kachel is een met zorg vervaardigd product van topkwaliteit. Als er desondanks schade ontstaat, neem dan eerst contact op met uw leverancier. Als hij het probleem niet kan oplossen, zal hij contact met ons opnemen en ons zo nodig de kachel toezenden. Ons bedrijf vervangt de eerste twee jaar na de aankoopdatum elk defect onderdeel gratis. De verzendkosten zijn echter voor rekening van de klant.

Aangezien dit apparaat is getest door een gecertificeerd laboratorium worden de volgende onderdelen niet gedekt door de garantie:

- Glas
- Gietijzeren rooster
- Vermiculiet
- Handvat, Knoppen, etc

In de verpakking vindt u een kwaliteitscontroleblad. Wij verzoeken u dit in geval van een klacht naar de leverancier te sturen.

AFMETINGEN EN EIGENSCHAPPEN

- Hoogte.....	1.147 mm	- Nominaal calorisch vermogen.....	10.1 kW
- Breedte.....	514 mm	- Rendement.....	78,7 %
- Diepte.....	460 mm	- CO-emissie.....	0.09 %
- Gewicht.....	127 Kg	- Minimale choorsteentrek voor nominaal vermogen.....	11,8 Pa
- Deurtje houtinvoer.....	310 x 565 mm	- Rookgasdebiet.....	7,6 g/s
- Rookafvoer.....	150-153 mm	- Rookgastemperatuur.....	316°C
- Romp in 5 mm dik staal		- Minimale afstand brandbare materialen.....	40 cm
- Gietijzeren rooster		- Verwarmingsvolume (ca.).....	250 m ³
- Hittevaste verf, bestand tegen 800 °C			
- Keramisch glas 750 °C			
- Houtblokken tot 50 cm			



EN 13240: 2001 & A2: 2004

DENIA

P.I. CAMPOLLANO
AVENIDA 5ª, 13-15
02007 ALBACETE - SPAIN

HOUTKACHEL "KYOTO"..... 12
ONAFHANKELIJKE KACHEL VOOR VASTE BRANDSTOF
CERTIFICATE N° EZKA/12/069-2
PRESTATIEVERKLARING..... 11620
AANGEMELDE INSTANTIE..... 0608

Nominaal vermogen.....10.1 kW
Rendement..... 78,7 %
CO-emissie verbrandingsproducten..... 0.09 %
Rookgastemperatuur..... 316 °C
Afstand van brandbare materialen..... 40 cm
Dust concentratie bij 13% O₂.. 35 mg/Nm³
Brandstofsoorten..... Brandhout en briketten

De kachel dient op een onbrandbare vloer
te worden geïnstalleerd.

INSTRUÇÕES DE UTILIZAÇÃO E DE MANUTENÇÃO

Acaba de adquirir um produto da marca DENIA. Além de uma manutenção correcta, as nossas salamandras requerem uma instalação conforme com a legislação em vigor. Os nossos produtos estão conformes com a norma europeia EN 13240:2001 e A2:2004, mas é muito importante para o consumidor saber utilizar correctamente a sua salamandra de acordo com as recomendações que indicamos. **Por esta razão, antes de instalar o nosso produto deverá ler rigorosamente este manual e seguir as nossas instruções de utilização e de manutenção.**

POSIÇÃO DA CONDUTA DE FUMOS

- Colocar o primeiro tubo na saída de fumos da salamandra e manter esta posição com os demais tubos.
- Colocar o chapéu sobre o último tubo, se este estiver no exterior.

INSTALAÇÃO

- Comprou uma salamandra a lenha cujo caixa de combustão está revestido com vermiculite. Não retire as peças em vermiculite.
- Todas as regulamentações locais, incluindo as que fizerem referência a normas nacionais ou europeias, deverão ser cumpridas quando se instala o aparelho
- A instalação deve ser o mais vertical possível, evitando a utilização de curvas e desvios. No caso de a instalação estar ligada a uma conduta de uma lareira, recomenda-se que os tubos cheguem até à saída exterior. No caso de a instalação ser constituída só por tubos, esta deverá ter, no mínimo, 3 metros lineares.
- Atenção: A instalação desta salamandra deve ser efectuada por um profissional qualificado. Não obstruir as aberturas de ventilação.
- Atenção: esta salamandra deve ser instalada num local bem ventilado.
- Os tubos devem ser selados com uma massa refractária para evitar que a fuligem caia pelas juntas.
- Não coloque a salamandra perto de paredes combustíveis. A salamandra deve ser instalada num solo não inflamável.
- Enquanto a salamandra estiver em funcionamento, afaste dela todas as matérias que possam ser alteradas pelo calor: móveis, cortinas, papel, roupa, etc... A distância de segurança mínima de materiais combustíveis é a indicada na última página deste manual.
- É necessário estar prevista a acessibilidade para a limpeza do aparelho, da conduta de fumos e da chaminé. Se pensa instalar a sua salamandra perto de uma parede não inflamável, aconselhamos-lhe a deixar uma distância mínima para facilitar as operações de limpeza.
- O aparelho não é adequado para ser instalado num sistema de chaminé partilhada com outros aparelhos.
- O aparelho deve ser instalado em solos que tenham uma capacidade resistente adequada. Se a construção já existente não cumpre este requisito prévio, devem ser

adoptadas as medidas adequadas (por exemplo, uma placa de distribuição de carga) para cumpri-lo.

COMBUSTÍVEL

- Utilize como combustível lenha seca, procurando que a mesma não exceda um grau de humidade de 20%. Tenha em conta que lenha com 50% ou 60% de humidade não aquece, tem uma combustão muito má, cria muito alcatrão, liberta vapor de água excessivo e produz sedimentos excessivos no aparelho, vidro e conduta de fumos. Também pode utilizar briquetes de lenha prensada.
- Acenda o lume com pastilhas existentes para esta finalidade ou com a ajuda de papel e pequenos paus de madeira. Nunca utilize para acender álcool ou produtos similares.
- Não queime resíduos domésticos, matérias plásticas ou produtos com gordura que contaminem o meio-ambiente e possam provocar risco de incêndios por obstrução da conduta.

FUNCIONAMENTO

- **Durante as primeiras vezes que acende o lume é normal que se produza fumo. Isto deve-se ao facto de se queimarem certos componentes da pintura anti-calórica, ao mesmo tempo que o pigmento adere à própria salamandra. Por isso, recomenda-se a ventilação abundante da sala até que tal desapareça.**
- A salamandra não foi feita para funcionar com a porta aberta.
- O aparelho foi pensado para trabalhar de forma intermitente, com intervalos de recarga de combustível.
- Para pôr a salamandra em funcionamento, recomenda-se a utilização de papel, pastilhas e ripas de madeira. Uma vez que o fogo comece a surgir, deve-se introduzir no primeiro carregamento dois troncos de 1,5 a 2 Kg. de peso. Neste processo, as saídas de ar da salamandra têm de estar totalmente abertas. Se for necessário, também pode ajudar, ao início, abrir a gaveta das cinzas.
- Uma vez que o lume tenha adquirido intensidade, feche totalmente a gaveta das cinzas (se foi aberta anteriormente) e regule a intensidade do lume fechando em maior ou menor medida as saídas de ar.
- Para conseguir a potência nominal desta salamandra deve colocar uma quantidade de lenha aproximada de 2 Kg. de peso (dois troncos de 1 Kg.) em intervalos de 1 hora. Deve colocar os troncos em sentido horizontal, ligeiramente separados entre si, para assegurar uma correcta combustão. Não se deve recarregar o aparelho até que não se tenha consumido a carga anterior e só reste a reserva de brasas.
- Para conseguir uma combustão lenta, deve regular a intensidade do lume com as saídas de ar. Estas terão de estar sempre desbloqueadas para permitir o fornecimento de ar para a combustão.
- É normal que depois das primeiras vezes em que se acendeu a salamandra as peças de latão adquiram uma cor acobreada.
- É normal que com o uso a junta de fibra de vidro, do vidro, se desfaça. Apesar de a salamandra poder funcionar sem esta junta, recomenda-se que a mesma seja substituída periodicamente.
- A gaveta inferior serve para retirar as cinzas. Esvazie-a frequentemente, sem esperar que se encha demasiado, para evitar que se danifique a grelha. Tenha cuidado com a cinza que até

24 horas depois pode continuar quente.

- Não abra a porta do aparelho de forma brusca com o fim de evitar a saída de fumo. Nunca abra a porta da salamandra sem previamente abrir a saída de ar. Abra a porta só com o fim de recarregar com o combustível adequado.
- O vidro, as peças de latão e o aparelho em geral podem alcançar temperaturas muito elevadas, cuidado com os riscos de queimaduras. Para manipular tais peças, utilize a luva junta com a salamandra.
- Manter afastadas as crianças para evitar queimaduras durante a utilização.
- Se o arranque apresenta problemas (temporada intermédia, chaminé fria, etc.) pode-se acender o lume de chamada com papel amachucado, o que facilita o início do funcionamento da salamandra.
- No caso de sobreaquecimento, feche as saídas de ar para reduzir a intensidade do lume.
- No caso de mau funcionamento, feche as saídas de ar e consulte o fabricante.
- Para obter as melhores prestações do aparelho, depois de ligar, abra apenas o ar primário e assim que o fogo estiver vivo (1 ou 2 minutos), feche a maior parte do ar primário, deixando apenas uma abertura muito pequena para permitir uma combustão lenta.
- **Se colocar troncos no depósito de lenha, estes não podem tocar na parte superior do armazém de lenha**

MANUTENÇÃO

- Convém limpar periodicamente o vidro para evitar que os restos de fuligem o escureçam. No comércio existem produtos de limpeza especiais para isso. Não utilize nunca água. Nunca tente limpar a sua salamandra quando estiver em funcionamento.
- Também é importante limpar periodicamente as ligações de condutas de fumo do aparelho e deverá comprovar a ausência de obstrução antes de voltar a acender o aparelho, depois de um período prolongado sem funcionar. Em cada início de temporada é importante que um profissional realize uma manutenção à sua instalação.
- Em caso de incêndio na chaminé, se puder, feche as saídas de ar e contacte imediatamente as autoridades.
- Qualquer peça sobresselente que necessite tem de ser recomendada por nós.
- A fibra de vidro usados nas articulações podem sofrer degradação ao longo do tempo. Se este for o caso, quando isso ocorrer, você deve substituí-lo com uma nova fibra de vidro

GARANTIA

Esta salamandra é um produto de alta qualidade, fabricada com grande esmero. Se, apesar disso, surgir algum defeito, consulte primeiro o seu distribuidor. Se ele não puder solucionar o problema, entre em contacto connosco e, se necessário, envie-nos a salamandra. A nossa empresa substitui gratuitamente qualquer peça defeituosa durante dois anos a partir da data da compra. Os gastos de transporte, contudo, estão por conta do cliente.

Uma vez que este dispositivo foi testado por um laboratório certificado não são cobertos pela garantia os seguintes componentes:

- Crystal
- Grill Fundição
- Vermiculite
- Hardware

No interior da embalagem, encontrará uma ficha de controlo da qualidade. Solicitamos que a remeta ao distribuidor em caso de reclamação.

MEDIDAS E CARACTERÍSTICAS

- Altura.....	1.147 mm	- Potência calórica nominal.....	10.1 kW
- Largura.....	514 mm	- Rendimento.....	78,7 %
- Profundidade.....	460 mm	- Emissão de CO.....	0.09 %
- Peso.....	127 Kg	- Saída na chaminé para potência nominal.....	11,8 Pa
- Porta entrada lenha.....	310 x 565 mm	- Caudal em massa de fumos.....	7,6 g/s
- Saída fumos.....	150-153 mm	- Temperatura dos fumos.....	316°C
- Corpo em aço de 5 mm.		- Distância mínima de materiais combustíveis.....	40 cm
- Grelha de ferro fundido		- Volume de aquecimento (aprox.)	250 m ³
- Pintura anti-calórica resistente a 800 °C			
- Vidro vitrocerâmico 750 °C			
- Troncos até 50 cm			

 EN 13240: 2001 & A2: 2004	DENIA P.I. CAMPOLLANO AVENIDA 5ª, 13-15 02007 ALBACETE - SPAIN
SALAMANDRA DE LENHA "KYOTO"..... 12 SALAMANDRA INDEPENDENTE PARA COMBUSTÍVEL SÓLIDO CERTIFICATE Nº EZKA/12/069-2 DECLARAÇÃO DE DESEMPENHO 11620 ORGANISMO NOTIFICADO 0608	
Potência nominal.....10.1 kW Rendimento..... 78,7 % Emissão de CO nos produtos de combustão. 0.09 % Temperatura dos fumos..... 316 °C Distancia mínima de materiais combustíveis... 40 cm Tipos de combustível..... Lenha e briquetes	
A salamandra deve ser instalada num solo não inflamável.	

ISTRUZIONI D'USO E MANUTENZIONE

Ha acquistato un prodotto della marca DENIA; oltre a una corretta manutenzione, le nostre stufe richiedono un'installazione in conformità alla legislazione in vigore. I nostri prodotti sono conformi alla norma europea EN 13240:2001 e A2:2004, ma è molto importante che l'utente sappia utilizzare correttamente la sua stufa seguendo le nostre raccomandazioni. **Per questa ragione, prima d'installare il nostro prodotto deve leggere attentamente il presente manuale e seguire le nostre istruzioni d'uso e di manutenzione.**

POSIZIONE DEL CONDOTTO DEL FUMO

- Porre il primo tubo all'uscita del fumo dalla stufa e continuare in questa posizione con gli altri tubi.
- Porre la testa di camino sull'ultimo tubo se quest'ultimo si trova all'esterno.

IMPIANTO

- Lei ha comprato una stufa a legno progettata con la camera di combustione rivestita con vermiculite.
Non si devono rimuovere dalla stufa i pezzi di vermiculite.
- Quando s'installa l'apparecchio, bisogna rispettare tutti i regolamenti locali, compresi quelli che si riferiscono a norme nazionali o europee.
- L'impianto deve essere il più possibile verticale ed evitare l'uso di gomiti e deviazioni. Nel caso in cui l'impianto sia collegato mediante un condotto di camino in muratura, si raccomanda che i tubi arrivino fino all'uscita esterna. Nel caso in cui l'impianto sia realizzato esclusivamente con tubi dovrebbe avere un minimo di 3 metri lineari.
- Attenzione: l'installazione di questa stufa deve realizzarla da un professionista qualificato. Non ostruire le aperture di ventilazione.
- Attenzione: questa stufa va installata in un locale ben ventilato.
- I tubi devono essere sigillati con del mastice refrattario per evitare che la fuliggine cada dalle giunture.
- Non collocare la stufa nei pressi di pareti combustibili. La stufa va installata su un pavimento non infiammabile.
- Mentre la stufa è in funzionamento bisogna tenere lontano qualsiasi materiale che possa essere alterato dal calore: mobili, tendine, carta, abiti, ecc... La distanza minima di sicurezza da materiali combustibili è quella riportata nell'ultima pagina di questo manuale.
- E' necessario prevedere uno spazio d'accesso per effettuare la pulizia della stufa, del condotto del fumo e del camino. Se pensa di installare la sua stufa nei pressi di una parete non infiammabile, le consigliamo di lasciare una distanza minima in modo da favorire le operazioni di pulizia.
- Questa stufa non è adatta ad essere installata in un sistema di camino condiviso da altre stufe.
- La stufa va installata su pavimenti che presentino una capacità portante adeguata. Se la costruzione preesistente non rispetta questo requisito previo, bisogna adottare le misure adeguate (per esempio, una placca di distribuzione del carico) affinché lo rispetti.

COMBUSTIBILE

- Come combustibile bisogna usare legna secca, facendo in modo che non superi del 20% il

livello d'umidità. E' necessario tener presente che della legna con un 50% o un 60% di umidità non riscalda, ha una pessima combustione, produce molto catrame, libera un'eccessiva quantità di vapore acqueo e forma eccessivi sedimenti nella stufa, sul cristallo e nel condotto del fumo. Si possono usare anche delle bricchette di legno pressato.

- Accendere il fuoco con le apposite pastiglie o con l'aiuto di carta e legna fine. Non bisogna mai usare per accendere il fuoco alcol o prodotti simili.
- Non bruciarvi rifiuti domestici, materie plastiche o prodotti grassi che inquinano l'ambiente e possono provocare rischi d'incendi per ostruzione del condotto.

FUNZIONAMENTO

- **Le prime volte che si accende è normale che venga prodotto del fumo. Ciò è dovuto al fatto che si bruciano certi componenti della vernice anticalore mentre il pigmento aderisce alla stufa stessa. Per tale ragione è raccomandabile ventilare abbondantemente la stanza finché questo fenomeno sparisce.**
- La stufa non è stata progettata per funzionare con lo sportello aperto.
- Il dispositivo è pensato per lavorare in maniera intermittente con intervalli di ricarica di combustibile.
- Per quanto riguarda il processo d'accensione della stufa si raccomanda di usare carta, pastiglie combustibili e piccoli legnetti. Una volta che il fuoco inizia a prendere, aggiungere nel primo carico due bastoni da 1,5 a 2 Kg. di peso. In questo processo d'accensione il tiraggio d'aria della stufa deve essere completamente aperto. Se fosse necessario è possibile anche aiutarsi all'inizio mediante l'apertura del cassetto della cenere.
- Una volta che il fuoco è diventato intenso, chiudere completamente il cassetto della cenere (se è stato aperto in precedenza) e regolare l'intensità del fuoco chiudendo in maggiore o minore misura il tiraggio dell'aria.
- Per ottenere la potenza nominale di questa stufa bisogna collocare una quantità di legna di circa 2 Kg. di peso (due tronchi di 1 Kg.) a intervalli di 1 ora. I tronchi vanno collocati in senso orizzontale leggermente separati tra loro, in modo da garantire una corretta combustione. Non si deve ricaricare il dispositivo finché non è stata consumata la legna precedente e sia rimasta solo la riserva di braci.
- Per ottenere una combustione lenta bisogna regolare l'intensità del fuoco con il tiraggio dell'aria. Quest'ultimo deve essere sempre libero da intoppi per permettere l'entrata dell'aria per la combustione.
- E' normale che dopo le prime volte che si accende la stufa le parti di ottone assumano un colore ramato.
- E' normale che, con l'uso, si sgretoli la guarnizione di fibra di vetro del cristallo. Benché la stufa possa funzionare senza questa guarnizione, si raccomanda di sostituirla ogni stagione.
- Il cassetto inferiore serve a togliere la cenere. Svuotarlo con frequenza, senza attendere che si riempia troppo onde evitare che si rovini la griglia; prestare attenzione alla cenere che può essere ancora calda fino a 24 ore dopo che è stato spento il fuoco.
- Non aprire lo sportello del dispositivo in maniera brusca in modo da evitare la fuoriuscita di fumo. Non aprire mai lo sportello della stufa senza aver prima aperto il tiraggio. Aprire lo sportello solo allo scopo di ricaricare il combustibile adeguato.
- Il cristallo, i pezzi d'ottone e il dispositivo in genere possono raggiungere temperature molto elevate, fare quindi attenzione a non bruciarsi. Per maneggiare queste parti, usare il guanto

allegato alla stufa.

- Tenere i bambini lontani dalla stufa mentre si usa per evitare che si brucino.
- Se sorgono problemi (stagione intermedia, camino freddo, ecc.) si può accendere un fuoco di richiamo” con della carta appallottolata, che favorisce l’attivazione della stufa.
- Nel caso in cui si verifichi del surriscaldamento, chiudere il tiraggio dell’aria per ridurre l’intensità del fuoco.
- Nel caso in cui ci sia un cattivo funzionamento, chiudere il tiraggio dell’aria e rivolgersi al fabbricante.
- Quando si accende l’apparecchio, per ottenerne le migliori prestazioni, aprire solo l’aria primaria e quando il fuoco ha preso bene (1 o 2 minuti) chiudere la maggior parte dell’aria primaria lasciando solo una piccola apertura per consentire una combustione lenta.
- **Se vengono introdotti tronchi di legna nel deposito, questi non devono toccare la parte superiore della stufa**

MANUTENZIONE

- Conviene pulire periodicamente il cristallo per evitare che i resti di fuliggine lo anneriscano. Esistono in commercio degli strumenti di pulizia appositi. Non usare mai dell’acqua. Non cercare mai di pulire la stufa mentre sta funzionando.
- E’ anche importante pulire periodicamente i condotti dei fumi, inoltre, bisogna verificare che non ci siano parti intasate prima di accendere di nuovo la stufa dopo un periodo prolungato d’inattività. All’inizio di ogni stagione è importante che un tecnico professionista esegua una manutenzione dell’impianto.
- In caso d’incendio nel camino, se possibile, chiudere il tiraggio dell’aria e rivolgersi immediatamente alle autorità competenti.
- Qualsiasi pezzo di ricambio che sarà necessario sostituire deve essere raccomandato da noi.
- La treccia di fibra di vetro usata per le giunte si può deteriorare con il tempo. Se fosse il caso, si deve cambiare per un nastro nuovo.

GARANZIA

Questa stufa è un prodotto di elevata qualità, fabbricata con grande perizia. Nel caso in cui, ciò nonostante, si dovesse verificare qualche difetto, deve rivolgersi prima al proprio distributore. Se quest’ultimo non è in grado di risolvere il problema, dovrà mettersi in contatto con noi e, se necessario ci manderà la stufa. La nostra ditta sostituisce gratuitamente qualsiasi pezzo difettoso per due anni dalla data d’acquisto. Le spese di trasporto, tuttavia, verranno sostenute dal cliente.

Dato che questo dispositivo è stato testato da un laboratorio certificato non sono sotto garanzia le seguenti pezzi:

- Vetro
- Griglia
- Vermiculite
- Maniglie e cerniere

All’interno dell’imballaggio, si trova una scheda di controllo qualità, la preghiamo di farla pervenire al distributore in caso di reclamo.

MISURE E CARATTERISTICHE

- Altezza.....	1.147 mm	- Potenza termica nominale.....	10.1 kW
- Larghezza.....	514 mm	- Rendimento.....	78,7 %
- Profondità.....	460 mm	- Emissione di CO al 13% di O ₂ ...	0.09 %
- Peso.....	127 Kg	- Tiraggio nel camino per potenza nominale.....	11,8 Pa
- Portello inserimento legna .310 x 565 mm		- Portata massica del fumo.....	7,6 g/s
- Diametro scarico fumi.....	150-153 mm	- Temperatura del fumo.....	316°C
- Corpo in acciaio da 5 mm.		- Distanza minima da materiali infiammabili	40 cm
- Griglia di ghisa		- Volume di riscaldamento (circa.)	250 m ³
- Vernice anticalore resistente a 800 °C			
- Cristallo in vetroceramica 750 °C			
- Lunghezza massima tronchi: 50 cm			

 EN 13240: 2001 & A2: 2004	DENIA P.I. CAMPOLLANO AVENIDA 5ª, 13-15 02007 ALBACETE - SPAIN
STUFA A LEGNA "KYOTO" 12 STUFA INDIPENDENTE PER COMBUSTIBILE SOLIDO CERTIFICATE N° EZKA/12/069-2 DICHIARAZIONE DI PRESTAZIONE..... 11620 ORGANISMO NOTIFICATO 0608	
Potenza termica nominale.....10.1 kW Rendimento 78,7 % Emissione di CO al 13% di O ₂ 0.09 % Temperatura del fumo..... 316 °C Distanza da materiali infiammabili..... 40 cm Tipi di combustibile..... Legna e bricchette	
La stufa va installata su un pavimento non infiammabile.	

GEBRAUCHS- UND WARTUNGSANLEITUNG

Sie haben soeben ein Produkt der Marke DENIA gekauft. Bitte beachten Sie neben der Wartungsanleitung auch die gesetzlichen Vorschriften bei der Aufstellung unserer Öfen. Unsere **Produkte erfüllen die Anforderungen der europäischen Norm EN 13240:2001 und der US-Norm A2:2004. Unumgänglich ist jedoch eine korrekte Verwendung Ihres Ofens gemäß den nachstehenden Anweisungen. Lesen Sie daher bitte vor der Aufstellung des Ofens dieses Handbuch aufmerksam durch und befolgen Sie unsere Gebrauchs- und Wartungsanleitung.**

POSITION DES RAUCHROHRS

- Stecken Sie das erste Rohr an den Rauchanschluss des Ofens und die nachfolgenden Rohre darauf.
- Setzen die Wetterhaube auf das letzte Rohr, falls dieses im Freien endet.

INSTALLATION

- Sie haben einen Holzofen gekauft das über eine Verbrennungskammer verfügt, überzogen mit Vermiculite.
Entfernene Sie nicht diese Vermicult-Teile von dem Holzofen.
- Informieren Sie sich über die regional geltenden Bauvorschriften bevor Sie mit der Montage beginnen.
- Die Installation sollte so vertikal wie möglich, unter Vermeidung von Rohrbögen und Abzweigen erfolgen. Falls der Ofen an einen gemauerten Kaminschacht angeschlossen wird, sollten die Rauchrohre nach Möglichkeit im gesamten Kamin verlegt werden. Ausschließlich mit den Rauchrohren durchgeführte Installationen sollten eine Länge von mindestens 3 m ohne Krümmung aufweisen.
- Achtung: Die Installation des Ofens darf nur von einem Fachmann durchgeführt werden. Achten Sie darauf, dass die Lüftungsöffnungen immer frei bleiben.
- Achtung: Der Ofen darf nur in Räumlichkeiten mit ausreichender Lüftung installiert werden.
- Die Verbindungsfugen zwischen den Rohren sind mit einer feuerfesten Dichtungsmasse abzudichten, sodass kein Russ austreten kann.
- Stellen Sie den Ofen nicht in der Nähe von Wänden aus brennbarem Material auf. Stellen Sie den Ofen nach Möglichkeit auf einen feuerfesten Boden auf.
- Der Ofen muss an einen separaten Rauchzug angeschlossen werden, in den keine anderen Geräte einmünden.
- Halten Sie alle Gegenstände aus nicht feuerfestem Material, wie Möbel, Vorhänge, Papier, Kleidung etc., vom brennenden Ofen fern. Angaben über den Mindestabstand zu brennbaren Materialien finden Sie auf der letzten Seite des Handbuchs.
- Der Ofen darf nur auf Böden mit einer ausreichenden Tragfähigkeit aufgestellt werden. Falls der vorhandene Boden diese Anforderung nicht erfüllt, sind geeignete Maßnahmen zu ergreifen (z.B.: Installation einer Lastverteilungsplatte).

- Ofen, Rauchrohr und Kamin müssen für die Reinigung zugänglich bleiben. Bei Aufstellung des Ofens in der Nähe einer feuerfesten Wand wird empfohlen, einen Mindestabstand für Reinigungsarbeiten einzuhalten.

HEIZMATERIAL

- Heizen Sie den Ofen mit trockenem Brennholz (max. Feuchtigkeitsgrad: 20%). Bedenken Sie, dass feuchtes Brennholz (mit 50% oder 60% Feuchtigkeit) kaum Heizwärme erzeugt, sehr schlecht verbrennt und dabei Teer sowie hohe Mengen an Wasserdampf freigibt und Ablagerungen am Gerät, dem Sichtfenster und in den Rauchrohren verursacht. Auch Holzbrickets können mit diesem Ofen verheizt werden.
- Verwenden Sie zum Anzünden geeignete Ofenanzünder bzw. Papier und Kleinholz. Verwenden Sie auf keinen Fall Alkohol oder ähnliche Produkte zu diesem Zweck.
- Verbrennen Sie keinen Hausmüll, Plastikabfälle oder fetthaltige Produkte. Diese verschmutzen die Umwelt und können durch Verstopfen des Rauchabzugs Brandgefahr hervorrufen.

BETRIEB

- **Während der ersten Betriebsstunden ist mit einer gewissen Rauchentwicklung zu rechnen. Diese entsteht durch die Verbrennung bestimmter Bestandteile des Hitzeschutzanstrichs. Dabei kommt es zum Einbrennen der Farbpigmente in die Ofenoberfläche. Daher wird empfohlen, für ausreichende Lüftung zu sorgen, bis dieser Vorgang abgeschlossen ist.**
- Der Ofen ist nicht für den Betrieb mit geöffneter Ofentür konzipiert.
- Der Ofen ist für den diskontinuierlichen Heizbetrieb mit Unterbrechungen zum Nachlegen von Brennstoff ausgelegt.
- Zum Anzünden wird die Verwendung von Papier und Kleinholz bzw. Ofenanzündern empfohlen. Nach dem Anzünden ist der Ofen vorerst mit zwei 1,5 bis 2 kg schweren Holzscheiten zu beschicken. Die Zugklappen des Ofens müssen dabei vollständig geöffnet sein. Erforderlichenfalls kann zu Beginn auch die Aschenlade geöffnet werden.
- Sobald der Ofen gut brennt, schließen Sie die Aschenlade vollständig (falls Sie diese geöffnet haben) und regeln Sie die Brandstärke durch mehr oder weniger starkes Öffnen bzw. Schließen der Zugklappen.
- Zur Erreichung der Nennleistung des Ofens ist in Abständen von jeweils einer Stunde ca. 2 kg Brennholz (zwei Holzscheite zu jeweils 1 kg) nachzulegen. Die Holzscheite sind waagrecht mit einem leichten Abstand zueinander einzulegen, um eine gute Verbrennung zu gewährleisten. Warten Sie mit dem Nachlegen, bis das Brennholz im Ofen bis auf einen Glutrest verbrannt ist.
- Zur Erzielung einer langsamen Brandgeschwindigkeit ist die Brandstärke mit den Zugklappen entsprechend einzustellen. Die Zugklappen müssen immer für den Zutritt von Verbrennungsluft frei sein.
- Die Messingteile nehmen nach den ersten Heiztagen einen kupferfarbenen Ton an. Dies ist normal.
- Die Glasfaserdichtung des Sichtfensters zerfällt mit der Zeit. Obwohl der Ofen auch ohne diese Dichtung betrieben werden kann, wird empfohlen, die Dichtung vor Beginn jeder Heizsaison zu ersetzen.
- Die untere Schublade dient zum Entnehmen der Asche. Um Schäden am Feuerrost zu

vermeiden, leeren Sie diese regelmäßig aus, bevor sie zu voll ist. Vorsicht: Die Asche kann bis zu 24 Stunden nach dem Abbrennen noch heiß sein.

- Öffnen Sie die Ofentür nur langsam, um das Austreten von Rauch zu vermeiden. Öffnen Sie die Ofentür niemals bei geschlossenen Zugklappen. Die Ofentür sollte nur zum Nachlegen von geeignetem Heizmaterial geöffnet werden.
- Sichtfenster, Messingteile sowie der Ofen insgesamt können sehr hohe Temperaturen erreichen. Vorsicht: Verbrennungsgefahr! Verwenden Sie zum Anfassen der genannten Teile den mitgelieferten Handschuh.
- Halten Sie Kinder vom brennenden Ofen fern, um Brandverletzungen zu vermeiden.
- Falls das Anzünden Schwierigkeiten bereitet (in der Übergangszeit, bei kaltem Schornstein etc.), kann vor dem Einlegen von Holz ein kleines Feuer mit zerknülltem Papier entfacht werden.
- Bei Überhitzung des Ofens schließen Sie die Zugklappen, um die Brandstärke zu verringern.
- Sollten Probleme beim Betrieb des Ofens auftreten, schließen Sie die Zugklappen und wenden Sie sich an den Hersteller.
- Öffnen Sie, um eine optimale Leistung des Apparats zu erzielen, zu Beginn der Zündung nur die Primärluft. Schließen Sie, sobald das Feuer gut brennt (1 oder 2 Minuten), den größten Teil der Primärluft und lassen Sie nur eine kleine Öffnung, um eine langsame Verbrennung zu ermöglichen.
- **Achtung! Holzstücke dürfen den oberen Bereich des Holzofens NICHT berühren.**

WARTUNG

- Es wird empfohlen, das Sichtfenster regelmäßig zu reinigen, damit es nicht vom Russ geschwärzt wird. Zu diesem Zweck sind im Handel Spezialreiniger erhältlich. Verwenden Sie dazu niemals Wasser. Versuchen Sie nie, den Ofen während des Heizbetriebs zu reinigen.
- Auch die Rauchrohranschlüsse sind regelmäßig zu reinigen und nach einem längeren Stillstand des Ofens vor Inbetriebnahme desselben auf freien Rauchdurchzug zu überprüfen. Vor Beginn der Heizsaison sollte die Installation von einem Fachmann überprüft werden.
- Bei einem Kaminbrand schließen Sie nach Möglichkeit die Luftzufuhr und verständigen Sie umgehend die Feuerwehr.
- Verwenden Sie ausschließlich vom Hersteller empfohlene Ersatzteile.
- Der Schnur vom Glass ist tragen vorbehalten. In diesem Fall soll man der Schnur ersetzen für eine neue.

GEWÄHRLEISTUNG

Der von Ihnen gekaufte Ofen ist ein sorgfältig hergestelltes, hochwertiges Produkt. Sollten Sie dennoch irgend einen Schaden feststellen, so setzen Sie sich bitte mit dem Händler in Verbindung. Falls der Händler das Problem nicht lösen kann, wird er sich mit uns in Verbindung setzen und ggf. den Ofen einsenden. Unser Unternehmen ersetzt alle schadhaften Teile bis zwei Jahre ab Kaufdatum gratis. Die Transportkosten gehen jedoch zu Lasten des Kunden.


Da dieses Gerät getestet wurde von einem zertifizierten Labor werden die folgenden Teile nicht durch die Garantie abgedeckt:

- Scheibe
- Rundrost
- Vermiculite
- Griffe, Knöpfe, etc.

Im Inneren der Verpackung befindet sich ein Qualitätskontrollblatt. Wir bitten Sie, dieses im Reklamationsfall dem Händler auszuhändigen.

ABMESSUNGEN UND TECHNISCHE DATEN

- Höhe.....	1.147 mm	- Nennheizleist.....	10.1 kW
- Breite.....	514 mm	- Wirkungsgrad.....	78,7 %
- Tiefe.....	460 mm	- CO-gehalt.....	0.09 %
- Gewicht.....	127 Kg	- Erforderl. Zug zur Erreichung der Nennleistung.....	11,8 Pa
- Feuerungstür.....	310 x 565 mm	- Abgasmassenstrom.....	7,6 g/s
- Rauchanschluss.....	150-153 mm	- Abgastemperatur.....	316 °C
- Ofenkörper aus 5 mm dickem Stahl		- Mindestabstand zu brennbaren Materialien.....	40 cm
- Feuerrost aus Gusseisen		- Beheizbarer Raum (ca.).....	250 m ³
- Hitzeschutzanstrich bis 800 °C hitzebeständig			
- Glaskeramikfenster hitzebeständig bis 750 °C			
- Holzscheite bis 50 cm Länge			

 EN 13240: 2001 & A2: 2004	DENIA P.I. CAMPOLLANO AVENIDA 5ª, 13-15 02007 ALBACETE - SPAIN
	KAMINOFEN Δ R "KYOTO" 12 UNABHÄNGIGER OFEN FÜR FESTBRENNSTOFFE CERTIFICATE Nº EZKA/12/069-2 LEISTUNGSERKLÄRUNG..... 11620 NOTIFIZIERTEN STELLE 0608
Nennleistung.....10.1 kW Wirkungsgrad.....78.7 % CO-gehalt.....0.09 % Abgastemperatur.....316 °C Feinstaub bei 13% O235 mg/Nm ³ Mindestabstand zu brennbaren Materialien 40 cm Brennstoffe..... Brennholz und Holzbriketts	

INSTRUKCJA UŻYTKOWANIA I KONSERWACJI

Zakupili Państwo właśnie produkt firmy DENIA. Oprócz prawidłowego użytkowania, nasze piecyki kominkowe wymagają instalacji ściśle zgodnej z instrukcją. Nasze produkty spełniają europejską normę EN 13240:2001 oraz A2:2004 jednak istotne jest aby Państwo wiedzieli jak właściwie użytkować piecyk zgodnie ze wskazanymi zaleceniami. **Dlatego przed instalacją piecyka kominkowego konieczne jest dokładne przeczytanie tej instrukcji i postępowanie zgodnie z przedstawionymi w niej wytycznymi dotyczącymi użytkowania i konserwacji.**

POŁOŻENIE PRZEWODU KOMINOWEGO

- Umieścić pierwszy przewód przy ujściu dymu z piecyka, tak samo postępować z resztą przewodów.
- Nałożyć osłonę przewodu kominowego na ostatni przewód, jeśli znajduje się na zewnątrz.

INSTALACJA

- Instalacja urządzenia musi być zgodna ze wszystkimi przepisami, włączając te odwołujące się do norm krajowych i europejskich.
- Instalacja przewodu powinna być jak najbardziej pionowa, należy unikać zgięć, kątów i odchyień. W przypadku gdy instalacja przewodu uchodzi do komina murowanego, zaleca się wyprowadzenie przewodów aż do zewnętrznego wyjścia komina. Jeśli instalacja realizowana jest tylko przy użyciu przewodów, powinny one mieć przynajmniej 3 metry długości w linii prostej.
- UWAGA! Instalacja tego piecyka powinna być przeprowadzona przez wykwalifikowanego specjalistę. Nie wolno zatkać otworów wentylacyjnych.
- UWAGA! Piecyk kominkowy musi być zainstalowany w pomieszczeniu dobrze wentylowanym.
- Złączenia przewodów powinny być uszczelnione masą ogniotrwałą, aby zapobiec wydostawaniu się sadzy.
- Nie wolno umieszczać piecyka obok łatwopalnych ścian. Piecyk kominkowy należy zainstalować na niepalnej podłodze.
- Kiedy piecyk kominkowy jest użytkowany należy umieścić z dala od niego wszelkie przedmioty, które mogą się uszkodzić pod wpływem wysokiej temperatury: meble, firany, papier, ubrania, itd. Minimalna bezpieczna odległość przedmiotów łatwopalnych od piecyka wskazana jest na ostatniej stronie tej instrukcji.
- Przy instalacji piecyka kominkowego należy wziąć pod uwagę pozostawienie swobodnego dojścia do niego, aby umożliwić czyszczenie urządzenia, przewodów i komina. Jeśli piecyk ma być zainstalowany przy niepalnej ścianie, radzimy pozostawić odstęp pomiędzy nimi, by ułatwić czynność czyszczenia.
- Tego piecyka kominkowego nie należy podłączać do instalacji kominowej połączonej z innymi urządzeniami.
- Urządzenie powinno być umieszczone na odpowiedniej do tego, wytrzymałej na ciężar posadzce. Jeśli posadzka, która jest aktualnie nie spełnia tych wymagań, należy zastosować odpowiednie środki by te wymagania spełnić.

PALIWO

- Należy używać tylko suchego drewna o stopniu wilgotności nie większym niż 20%. Drewno o większej wilgotności niż 50% czy 60% nie ogrzewa i słabo się pali, wytwarza dużo smoły, wydziela dużo pary wodnej i powoduje nawarstwianie się osadu na piecyku, szybko i przewodzie kominowym. Jako opału można także używać brykietu ze sprasowanego drewna.
- Należy rozpalać ogień używając specjalnych podpałek, papieru lub małych kawałków drewna. Nie wolno używać w tym celu alkoholu, ani podobnych produktów.
- W piecyku kominkowym nie wolno spalać śmieci domowych, materiałów z plastiku czy produktów zawierających tłuszcze, takich które mogłyby zanieczyścić środowisko i spowodować zagrożenie pożarowe poprzez zatkanie przewodów.

UŻYTKOWANIE

- **Podczas kilku pierwszych użyć piecyka pojawia się dym, co jest normalnym zjawiskiem jakie towarzyszy wypalaniu się niektórych elementów farby żaroodpornej podczas gdy utrwała się pigment farby piecyka. Ze względu na to, należy dobrze wietrzyć pomieszczenie, w którym znajduje się piecyk, aż do momentu zaprzestania pojawiania się dymu.**
- Piecyk kominkowy nie jest przeznaczony do działania przy otwartych drzwiczkach.
- Urządzenie jest skonstruowane by działać w sposób nieciągły z przerwą na doładowanie opału.
- Aby rozpalić ogień zaleca się stosowanie papieru, specjalnych podpałek czy małych kawałków drewna. Gdy ogień zaczyna się palić, jako pierwsze należy dodać dwa polana drewna, z których każdy powinien ważyć około 1,5kg – 2kg. Podczas rozpalamia ognia, wywietrzniki powietrza powinny być całkowicie otwarte. Można też otworzyć popielnik, jeśli jest taka potrzeba. Gdy ogień już się rozpali, należy zamknąć popielnik (jeśli był otwarty), siłę ognia reguluje się poprzez zamykanie i otwieranie wywietrzników powietrza.
- Aby otrzymać nominalną moc ciepła, należy umieścić w piecyku 2 kg drewna (około dwa polana kilogramowe) w odstępach 45 mn. Polana powinny być umieszczone poziomo i oddzielone od siebie, aby umożliwić właściwe palenie się. Nie należy uzupełniać opału piecyka dopóki uprzednio załadowane polana się nie spalą pozostawiając tylko żar, co jest wystarczające do rozpalenia dokładanych polan.
- Aby uzyskać powolne spalanie się drewna, należy regulować ogień poprzez wywietrzniki powietrza, które nigdy nie mogą być zapchane, aby umożliwić dopływ powietrza niezbędny do procesu spalania.
- Po pierwszym rozpaleniu ognia, elementy z mosiądzu mogą przybrać miedziany kolor.
- Z czasem uszczelka przy szybcie od drzwiczek stopi się. Pomimo tego, że piecyk może funkcjonować bez niej, zaleca się jej sezonową wymianę.
- Popielnik można wyciągać z piecyka kominkowego aby usunąć popiół. Należy regularnie opróżniać popielnik z popiołu, aby uniknąć uszkodzeń rusztu żeliwnego. Zaleca się ostrożność w opróżnianiu popielnika, jako że może być on gorący aż do 24 godzin po tym jak piecyk był używany.
- Nie wolno gwałtownie otwierać drzwiczek piecyka aby uniknąć nagłego wydostania się dymu. Nigdy nie można otwierać drzwiczek przy zamkniętych wywietrznikach powietrza. Należy otwierać drzwiczki tylko w celu dołożenia brakującego opału.
- Szybka, elementy z mosiądzu i cały piecyk mogą osiągnąć bardzo wysoką temperaturę, należy

uważać na ryzyko oparzenia i nie dotykać tych elementów bez dołączonych do piecyka rękawic.

- Należy trzymać dzieci z dala od piecyka, kiedy jest użytkowany, aby uniknąć poparzeń.
- Jeśli występują problemy z rozpaleniem drewna w piecyku (np. z powodu bardzo niskich temperatur powietrza), można użyć jako rozpałki złożonego lub zmiętego papieru, co znacznie ułatwia rozniecenie ognia.
- W przypadku zbytniego rozgrzania się piecyka kominkowego, należy zamknąć wywietrzniki powietrza.
- W przypadku złego funkcjonowania piecyka kominkowego, należy zamknąć wywietrzniki powietrza i skonsultować się z producentem.
- Aby zapewnić jak najlepsze działanie urządzenia, podczas jego zapalania należy otworzyć wyłącznie dopływ powietrza pierwotnego, zaś kiedy ogień będzie się palić silnym płomieniem (1 do 2 minut), zamknąć większość dopływu powietrza pierwotnego, pozostawiając tylko niewielki otwór w celu uzyskania bardzo wolnego procesu spalania.
- **Umieszczając kawałki drewna w komorze pod kominkiem pamiętaj, aby drewno nie dotykało górnej części komory.**

KONSERWACJA URZĄDZENIA

- Zaleca się okresowe czyszczenie szybki od drzewiczek, aby uniknąć ich zabrudzenia przez sadzę. W sprzedaży dostępne są specjalne środki czyszczące. Nie należy w tym celu używać wody, ani też czyścić szybki w trakcie użytkowania piecyka.
- Ważne jest także by okresowo czyścić otwór wylotowy przewodu piecyka i sprawdzać przed użyciem czy nie jest zablokowany, po dłuższym okresie nie użytkowania urządzenia. Wraz z rozpoczęciem każdego sezonu grzewczego, specjalista powinien przeprowadzić przegląd piecyka.
- W przypadku pożaru komina, jeśli jest to możliwe, należy zamknąć wywietrzniki powietrza i skontaktować się ze strażą pożarną.
- Wszelkie części zamienne muszą być rekomendowane przez naszą firmę.
- Włókno szklane wykorzystywane w sznurach ognioodpornych z czasem może ulec zniszczeniu. Jeżeli tak jest w Państwa przypadku, w momencie gdy będzie miało to miejsce, należy zastąpić je nowym sznurem ognioodpornym z włókna szklanego.

GWARANCJA

Zakupili Państwo wysokiej jakości piecyk kominkowy, produkowany z wielką starannością. Jeśli, mimo tego, produkt posiadałby wadę, należy skontaktować się z dystrybutorem. W przypadku, gdy nie jest możliwe rozwiązanie problemu przez niego, dystrybutor skontaktuje się z nami i, jeśli jest to konieczne, prześle nam piecyk. Nasza firma darmowo wymieni każdą wadliwą część piecyka przez dwa lata od daty zakupu. Koszty transportu jednakże pokryta klient.

Ten model był testowany przez laboratorium upoważnione do przeprowadzania badań na homologacje i dlatego gwarancja nie obejmuje następujących części:

- szyby
- rusztu żeliwnego
- wermikulitu
- okuc

W środku kartonu znajdą Państwo kartę kontroli jakości. Prosimy o przesłanie jej do dystrybutora w przypadku składania reklamacji.

WYMIARY I CHARAKTERYSTYKA

- Wysokość.....	1.147 mm	- Nominalna moc ciepła.....	10.1 kW
- Szerokość.....	514 mm	- Efektywność energetyczna.....	78,7 %
- Głębokość.....	460 mm	- Emisja tlenku węgla.....	0,09 %
- Masa.....	127 Kg	- Ciąg kominowy.....	11,8 Pa
- Drzwiczki.....	310 x 565 mm	- Strumień masy spalin.....	7,6 g/s
- Wylot spalin tyłem, średnica....	150-153 mm	- Temperatura spalin.....	316 °C
- Grubość obudow 5 mm		- Odstęp od części palnych.....	40 cm
- Ruszt żeliwny		- Średnia ogrzewana powierzchnia.....	250 m ³
- Farba żaroodporna do 800 °C			
- Szyba szklanoceramiczna 750 °C			
- Długość polan do 50 cm			

	DENIA P.I. CAMPOLLANO AVENIDA 5ª, 13-15 02007 ALBACETE - SPAIN
EN 13240: 2001 & A2: 2004	
“KYOTO” PIECYK KOMINKOWY..... 12 WOLNOSTOJĄCY OGRZEWACZ POMIESZCZEŃ NA PALIWO STAŁE CERTIFICATE N° EZKA/12/069-2 LEISTUNGSEKKLÄRUNG..... 11620 NOTIFIZIERTEN STELLE 0608	
Nominalna moc cieplna..... 10.1 kW Efektywność energetyczna.....78,7 % Emisja CO w produktach spalania.....0,09 % Temperatura dymu w przewodzie.....316 °C Odstęp od części palnych.....40 cm Paliwo.....Drewno oraz brykiet drzewny	

Koninkrijk België

FOD Volksgezondheid, Veiligheid van de Voedselketen en Leefmilieu, Directoraat-generaal Leefmilieu

KB 12 oktober 2010 tot regeling van de minimale eisen van rendement en emissieniveaus van verontreinigende stoffen voor verwarmingsapparaten voor vaste brandstoffen

Fabrikant:	
Naam van de fabrikant	PANADERO DENIA SL
Adres van de fabrikant	AVENIDA 5 NORTE 13-15 02007 ALBACETE SPAIN
Naam van zijn mandataris in de Europese Unie	PANADERO DENIA SL

Product(en):	
Soort brandstof	Vernieuwbaar
Soort product	Met vaste brandstof gestookte voorzetkachel
Vermogen	10.1 KW
Model	KYOTO
Type	11620
EC-nummer	PANADERO DENIA SL

Emissieniveaus:		
CO Continuous	% or mg/Nm ³	NBN EN 13240
CO Non Continuous	.09 % or mg/Nm ³	NBN EN 13240
PM Continuous	% or mg/Nm ³	NBN EN 13240
PM Non Continuous	35 % or mg/Nm ³	NBN EN 13240
EFF Continuous	%	NBN EN 13240
EFF Non Continuous	78.7 %	NBN EN 13240

Bijkomende gegevens:	
Naam van de erkende instantie	SGS Nederland bv NB-0608
Verslag N ^o	EZKA/12/069-1
Coördinaten van de persoon die ertoe gemachtigd is om de verklaring te ondertekenen	Miguel PANADERO
Plaats en datum van de verklaring	03-10-2012 ALBACETE
Milieu-informatie betreffende de aanbevolen vaste brandstoffen	Gebruik droog brandhout als brandstof en zorg ervoor dat de vochtigheidsgraad ervan niet hoger dan 20% is. Houd er rekening mee dat een stuk brandhout met een vochtigheidsgraad van 50% of 60% niet verwarmt, zeer slecht brandt, veel teer voortbrengt, overdreven veel waterdamp uitstoot en overmatige afzettingen op het apparaat, het glas en het rookkanaal veroorzaakt. Ook kunnen geperste houtbriketten worden gebruikt.
Milieu-informatie betreffende de af te raden vaste brandstoffen	Verbrand geen huisvuil, plastic materiaal of vette producten die het milieu vervuilen en brandgevaar kunnen veroorzaken door verstopping van het rookkanaal.

Met deze verklaren we dat de reeks toestellen hierna vermeld, in overeenstemming is met het type-model beschreven in de EG verklaring van overeenstemming, en dat ze geproduceerd en verdeeld wordt volgens de eisen van het koninklijk besluit van 12 oktober 2010 tot regeling van de minimale eisen van rendement en emissieniveaus van verontreinigende stoffen voor verwarmingsapparaten voor vaste brandstoffen.

	 <p>Miguel PANADERO PANADERO ATILA S.L. CIF B-02180076 NIF 02180076 Pl. Campolana s/n 46100 Albalatete 02007 ALBACETE SPAIN</p>
--	------------------------------------------------------------------------------------------------------------------------------------------------------------------------------------------------------------------------------------------------------

Royaume de Belgique

**SPF Santé publique, Sécurité de la Chaîne alimentaire et Environnement,
Direction générale de l'Environnement**

AR 12 octobre 2010 réglementant les exigences minimales de rendement et les niveaux des émissions des polluants des appareils de chauffage alimentés en combustible solide

Fabricant:	
Nom du fabricant	PANADERO DENIA SL
Adresse du fabricant	AVENIDA 5 NORTE 13-15 02007 ALBACETE SPAIN
Nom de son mandataire établi dans la Communauté européenne	PANADERO DENIA SL

Produit(s):	
Type de combustible	Renouvelable
Type of products	Poêle alimenté en combustible solide
Puissance	10.1 KW
Modèle	KYOTO
Type	11620
N° CE	PANADERO DENIA SL

Niveaux d'émission:		
CO Continuous	% or mg/Nm3	NBN EN 13240
CO Non Continuous	.09 % or mg/Nm3	NBN EN 13240
PM Continuous	% or mg/Nm3	NBN EN 13240
PM Non Continuous	35 % or mg/Nm3	NBN EN 13240
EFF Continuous	%	NBN EN 13240
EFF Non Continuous	78.7 %	NBN EN 13240

informations supplémentaires :	
le nom de l'organisme agréé	SGS Nederland bv NB-0608
Rapport N°	EZKA/12/069-1
les coordonnées de la personne habilité à signer la déclaration	Miguel PANADERO
le lieu et la date de la déclaration	03-10-2012 ALBACETE
Informations environnementales concernant les combustibles solides recommandés	Utilisez comme combustible du bois sec, en veillant à ce qu'il ne dépasse pas 20% le degré d'humidité. Sachez, qu'un bois ayant 50% ou 60% d'humidité ne chauffe pas, il a une très mauvaise combustion, il crée beaucoup de goudron, il dégage une vapeur d'eau excessive et il produit des sédiments excessifs dans l'appareil, la vitre et les conduits de fumée. Vous pouvez également utiliser des briquettes de bois pressé.
Informations environnementales concernant les combustibles solides non-recommandés	Ne brûlez pas de déchets ménagers, matières plastiques ou de produits gras qui polluent l'environnement et provoquent des risques de feu de cheminée par encrassement du conduit.

Nous certifions par la présente que la série des appareils spécifiée ci-après est conforme au modèle type décrit dans la déclaration de conformité CE, qu'elle est fabriquée et mise sur le marché conformément aux exigences définies dans l'arrêté royal du 12 octobre 2010 réglementant les exigences minimales de rendement et les niveaux des émissions de polluants des appareils de chauffage alimentés en combustible solide.

	 <p>Miguel PANADERO PANADERO DENIA S.L. CIF B-32780075 NIF A-32780075 Pl. Campolapuente s/n. Nave nº 13-15 02007 ALBACETE SPAIN</p>
--	-----------------------------------------------------------------------------------------------------------------------------------------------------------------------------------------------------------------------------------------------

Königreich Belgien

FÖD Volksgesundheit, Sicherheit der Nahrungsmittelkette und Umwelt Generaldirektion Umwelt

KE 12. Oktober 2010 regelt Mindestanforderungen an die Energieeffizienz und Emissionen von Schadstoffen Heizungen für feste Brennstoffe angetrieben

Hersteller:	
Name des Herstellers	PANADERO DENIA SL
Adresse des Herstellers	AVENIDA 5 NORTE 13-15 02007 ALBACETE SPAIN
Name seines in der Gemeinschaft ansässigen Bevollmächtigten	PANADERO DENIA SL

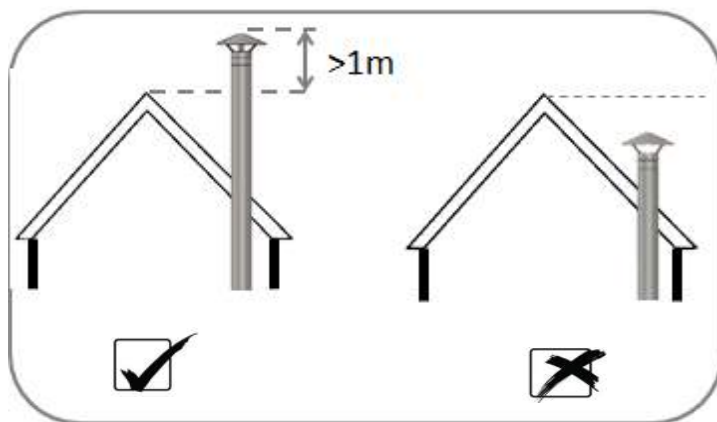
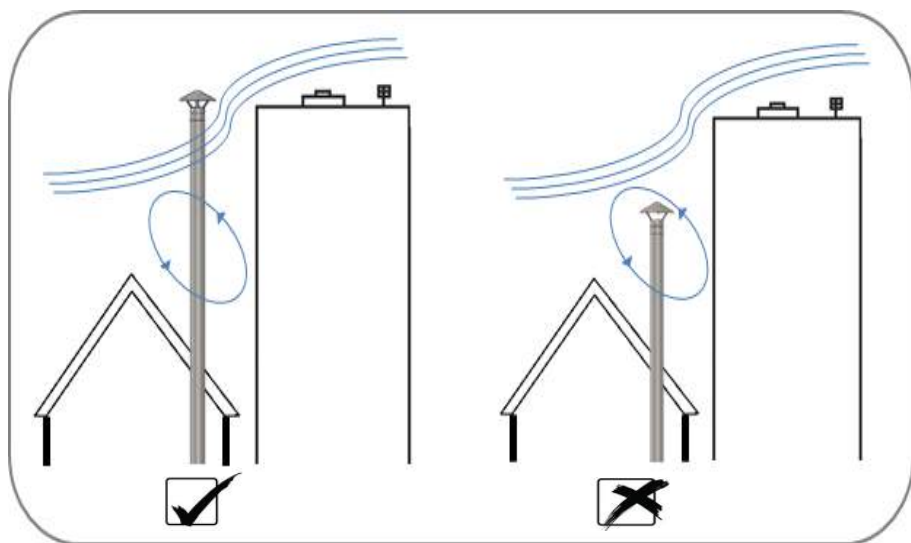
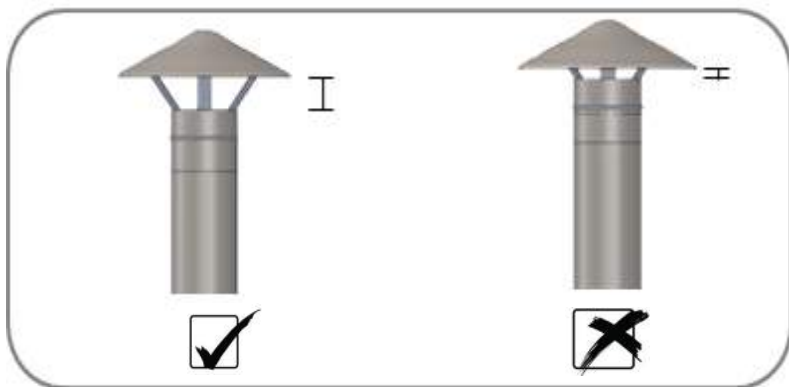
Produkt(e):	
Kraftstofftyp	Renewable
Produktentyp	Raumheizer für feste Brennstoffe
Motorleistung	10.1 KW
Modell	KYOTO
Typ	11620
EG-Nr.	PANADERO DENIA SL

Emissionswerte:		
CO Continuous	% or mg/Nm ³	NBN EN 13240
CO Non Continuous	.09 % or mg/Nm ³	NBN EN 13240
PM Continuous	% or mg/Nm ³	NBN EN 13240
PM Non Continuous	35 % or mg/Nm ³	NBN EN 13240
EFF Continuous	%	NBN EN 13240
EFF Non Continuous	78.7 %	NBN EN 13240

Besonderes:	
Name der anerkannten Einrichtung	SGS Nederland bv NB-0608
Bericht N°	EZKA/12/069-1
Kontaktangaben der Person, die zur Unterzeichnung der Erklärung ermächtigt ist	Miguel PANADERO
Ort und Datum der Erklärung	03-10-2012 ALBACETE
Umwelt Informationen über feste Brennstoffe empfohlen	Heizen Sie den Ofen mit trockenem Brennholz (max. Feuchtigkeitsgrad: 20%). Bedenken Sie, dass feuchtes Brennholz (mit 50% oder 60% Feuchtigkeit) kaum Heizwärme erzeugt, sehr schlecht verbrennt und dabei Teer sowie hohe Mengen an Wasserdampf freigibt und Ablagerungen am Gerät, dem Sichtfenster und in den Rauchrohren verursacht. Auch Holzbrickets können mit diesem Ofen verheizt werden.
Umwelt Informationen über feste Brennstoffe nicht empfohlen	Verbrennen Sie keinen Hausmüll, Plastikabfälle oder fettthaltige Produkte. Diese verschmutzen die Umwelt und können durch Verstopfen des Rauchabzugs Brandgefahr hervorrufen.

Wir bestätigen mit diesem Schreiben, dass die Baureihe der Geräte die hierunter angegebenen ist, im Einklang steht mit dem Modell das in der Konformitätserklärung beschrieben ist, das es hergestellt und auf dem Markt gebracht wird entsprechend den Anforderungen des königlichen Erlass vom 12. Oktober 2010 welches Mindestleistungsanforderungen und Emissionen von Schadstoffen für die mit Festbrennstoffen betriebenen Heizungen festlegt.

	 <p>Miguel PANADERO PANADERO DENIA, S.L. CIF: B-02180076 Pl. Campullans-Aud. N.º 13-15 02007 ALBACETE SPAIN</p>
--	---------------------------------------------------------------------------------------------------------------------------------------------------------------------------------------------------------------------------





DENIA[®]
S T O V E S

Tel.: +34 967 592 400

Fax: +34 967 592 410

www.deniastoves.com

E-mail: denia@deniastoves.com

P. I. Campollano · Avda. 5ª, 13-15

02007 ALBACETE - SPAIN